



DEPARTMENT OF PERMITTING, ENVIRONMENT, AND REGULATORY
AFFAIRS (PERA)
BOARD AND CODE ADMINISTRATION DIVISION

MIAMI-DADE COUNTY
PRODUCT CONTROL SECTION
11805 SW 26 Street, Room 208
Miami, Florida 33175-2474
T (786) 315-2590 F (786) 315-2599

NOTICE OF ACCEPTANCE (NOA)

www.miamidade.gov/pera

La Finestra, L.C.
2790 N.W. 104 Court
Miami, FL 33172

SCOPE:

This NOA is being issued under the applicable rules and regulations governing the use of construction materials. The documentation submitted has been reviewed and accepted by Miami-Dade County PERA - Product Control Section to be used in Miami Dade County and other areas where allowed by the Authority Having Jurisdiction (AHJ).

This NOA shall not be valid after the expiration date stated below. The Miami-Dade County Product Control Section (In Miami Dade County) and/or the AHJ (in areas other than Miami Dade County) reserve the right to have this product or material tested for quality assurance purposes. If this product or material fails to perform in the accepted manner, the manufacturer will incur the expense of such testing and the AHJ may immediately revoke, modify, or suspend the use of such product or material within their jurisdiction. PERA reserves the right to revoke this acceptance, if it is determined by Miami-Dade County Product Control Section that this product or material fails to meet the requirements of the applicable building code.

This product is approved as described herein, and has been designed to comply with the Florida Building Code, including the High Velocity Hurricane Zone.

DESCRIPTION: Series "EKU-53" Outswing Aluminum Casement Window - L.M.I.

APPROVAL DOCUMENT: Drawing No. FN-EKU53, titled "EKU 53 Impact Windows", sheets 1 through 10 of 10, dated 03/16/10, with revision #1 dated 04/30/12, prepared by Bromley-Cook Engineering, Inc., signed and sealed by William D. Cook, P.E., bearing the Miami-Dade County Product Control Revision stamp with the Notice of Acceptance number and expiration date by the Miami-Dade County Product Control Section.

MISSILE IMPACT RATING: Large and Small Missile Impact Resistant

LABELING: Each unit shall bear a permanent label with the manufacturer's name or logo, city, state, model/series, and following statement: "Miami-Dade County Product Control Approved", unless otherwise noted herein.

RENEWAL of this NOA shall be considered after a renewal application has been filed and there has been no change in the applicable building code negatively affecting the performance of this product.

TERMINATION of this NOA will occur after the expiration date or if there has been a revision or change in the materials, use, and/or manufacture of the product or process. Misuse of this NOA as an endorsement of any product, for sales, advertising or any other purposes shall automatically terminate this NOA. Failure to comply with any section of this NOA shall be cause for termination and removal of NOA.

ADVERTISEMENT: The NOA number preceded by the words Miami-Dade County, Florida, and followed by the expiration date may be displayed in advertising literature. If any portion of the NOA is displayed, then it shall be done in its entirety.

INSPECTION: A copy of this entire NOA shall be provided to the user by the manufacturer or its distributors and shall be available for inspection at the job site at the request of the Building Official.

This NOA revises and renews NOA# 10-0511.01 and consists of this page 1 and evidence pages E-1, E-2 and E-3, as well as approval document mentioned above.

The submitted documentation was reviewed by **Manuel Perez, P.E.**



MP
7/18/12

NOA No. 12-0503.04
Expiration Date: February 27, 2018
Approval Date: July 19, 2012
Page 1

NOTICE OF ACCEPTANCE: EVIDENCE SUBMITTED

A. DRAWINGS

1. Manufacturer's die drawings and sections.
2. Drawing No. **FN-EKU53**, titled "EKU-53 Impact Windows", sheets 1 through 10 of 10, dated 03/16/10, with revision #1 dated 04/30/12, prepared by Bromley-Cook Engineering, Inc., signed and sealed by William D. Cook, P.E.

B. TESTS

1. Test reports on: 1) Large Missile Impact Test per FBC, TAS 201-94
2) Cyclic Wind Pressure Loading per FBC, TAS 203-94
along with marked-up drawings and installation diagram of a 10 ft. high, arch-top aluminum out-swinging doors, prepared by Hurricane Engineering & Testing, Inc., Test Report No. **HETI-10-3010**, dated 04/14/10, witnessed by Candido F. Font, P.E.
(Submitted under previous NOA# 10-0511.01)
2. Test reports on: 1) Air Infiltration Test, per FBC, TAS 202-94
2) Uniform Static Air Pressure Test, Loading per FBC TAS 202-94
3) Water Resistance Test, per FBC, TAS 202-94
4) Forced Entry Test, per FBC 2411 3.2.1 and TAS 202-94
along with marked-up drawings and installation diagram of a 10 ft. high, arch-top aluminum out-swinging doors, prepared by Hurricane Engineering & Testing, Inc., Test Report No. **HETI-10-3009**, dated 04/14/10, witnessed by Candido F. Font, P.E.
(Submitted under previous NOA# 10-0511.01)
3. Test reports on: 1) Large Missile Impact Test per FBC, TAS 201-94
2) Cyclic Wind Pressure Loading per FBC, TAS 203-94
along with marked-up drawings and installation diagram of a 10 ft. high aluminum out-swinging pair of doors, prepared by Hurricane Engineering & Testing, Inc., Test Report No. **HETI-10-3003**, dated 04/14/10, witnessed by Candido F. Font, P.E.
(Submitted under previous NOA# 10-0511.01)
4. Test reports on: 1) Air Infiltration Test, per FBC, TAS 202-94
2) Uniform Static Air Pressure Test, Loading per FBC TAS 202-94
3) Water Resistance Test, per FBC, TAS 202-94
4) Forced Entry Test, per FBC 2411 3.2.1 and TAS 202-94
along with marked-up drawings and installation diagram of a 10 ft. high aluminum out-swinging pair of doors, prepared by Hurricane Engineering & Testing, Inc., Test Report No. **HETI-10-3002**, dated 04/14/10, witnessed by Candido F. Font, P.E.
(Submitted under previous NOA# 10-0511.01)


Manuel Perez, P.E.
Product Control Examiner

NOA No. 12-0503.04


Expiration Date: February 27, 2018

Approval Date: July 19, 2012

NOTICE OF ACCEPTANCE: EVIDENCE SUBMITTED

B. TESTS (CONTINUED)

5. Test reports on: 1) Large Missile Impact Test per FBC, TAS 201-94
2) Cyclic Wind Pressure Loading per FBC, TAS 203-94
along with marked-up drawings and installation diagram of a 10 ft. high aluminum out-swinging pair of doors, prepared by Hurricane Engineering & Testing, Inc., Test Report No. **HETI-09-2677**, dated 04/14/10, witnessed by Candido F. Font, P.E.
(Submitted under previous NOA# 10-0511.01)
6. Test reports on: 1) Air Infiltration Test, per FBC, TAS 202-94
2) Uniform Static Air Pressure Test, Loading per FBC TAS 202-94
3) Water Resistance Test, per FBC, TAS 202-94
4) Forced Entry Test, per FBC 2411 3.2.1 and TAS 202-94
along with marked-up drawings and installation diagram of a 10 ft. high aluminum out-swinging pair of doors, prepared by Hurricane Engineering & Testing, Inc., Test Report No. **HETI-09-2676**, dated 04/14/10, witnessed by Candido F. Font, P.E.
(Submitted under previous NOA# 10-0511.01)
7. Test reports on: 1) Air Infiltration Test, per FBC, TAS 202-94
2) Uniform Static Air Pressure Test, Loading per FBC TAS 202-94
3) Water Resistance Test, per FBC, TAS 202-94
4) Large Missile Impact Test per FBC, TAS 201-94
5) Cyclic Wind Pressure Loading per FBC, TAS 203-94
6) Forced Entry Test, per FBC 2411 3.2.1 and TAS 202-94
along with marked-up drawings and installation diagram of an Aluminum Out-Swinging Entrance Door, prepared by Fenestration Testing Laboratory, Inc., Test Report No. **FTL-4531**, dated 06/01/05, witnessed by Edmundo Largaespada, P.E.
(Submitted under NOA # 05-0725.03)
8. Test reports on: 1) Air Infiltration Test, per FBC, TAS 202-94
2) Uniform Static Air Pressure Test, Loading per FBC, TAS 202-94
3) Water Resistance Test, per FBC, TAS 202-94
4) Forced Entry Test, per FBC 2411 3.2.1 and TAS 202-94
along with marked-up drawings and installation diagram of an out swing wood door, prepared by Fenestration Testing Laboratory, Inc., Test Report No. **FTL-3881**, dated 08/23/04, witnessed by Edmundo Largaespada, P.E.
(Submitted under NOA # 05-0203.02)


Manuel Perez, P.E.
Product Control Examiner
NOA No. 12-0503.04
Expiration Date: February 27, 2018
Approval Date: July 19, 2012

NOTICE OF ACCEPTANCE: EVIDENCE SUBMITTED

C. CALCULATIONS

1. Anchor verification calculations and structural analysis, complying with FBC-2007, dated 04/26/10 and revised on 08/19/10, prepared by Bromley-Cook Engineering, Inc, signed and sealed by William D. Cook, P.E.
(Submitted under previous NOA# 10-0511.01)
2. Glazing complies with ASTM E1300-04

D. QUALITY ASSURANCE

1. Miami-Dade Department of Permitting, Environment, and Regulatory Affairs (PERA)

E. MATERIAL CERTIFICATIONS

1. Notice of Acceptance No. **11-0624.01** issued to **E.I. DuPont DeNemours & Co., Inc.** for their "**DuPont Butacite® PVB Interlayer**" dated 09/08/11, expiring on 12/11/16.

F. STATEMENTS

1. Statement letter of conformance, complying with FBC 2010, dated April 30, 2012, signed and sealed by William D. Cook, P.E.
2. Statement letter of no financial interest, dated April 26, 2010, signed and sealed by William D. Cook, P.E.
(Submitted under previous NOA# 10-0511.01)
2. Laboratory compliance letter for Test Report No. **FTL- 4531**, issued by Fenestration Testing Laboratory, Inc., dated July 11, 2005, signed and sealed by Edmundo Largaespada, P.E.
(Submitted under NOA # 05-0725.03)
3. Laboratory compliance letter for Test Report No. **FTL- 3881**, issued by Fenestration Testing Laboratory, Inc., dated October 18, 2004, signed and sealed by Edmundo Largaespada, P.E.
(Submitted under NOA # 05-0203.02)

G. OTHERS

1. Notice of Acceptance No. **10-0511.01**, issued to La Finestra, L.C. for their Series "EKU-53" Outswing Aluminum Casement Window – L.M.I., approved on 09/22/10 and expiring on 02/27/13.


Manuel Perez, P.E.
Product Control Examiner
NOA No. 12-0503.04

Expiration Date: February 27, 2018
Approval Date: July 19, 2012

SERIES: EKU 53 OUTSWING CASEMENT WINDOW (HIGH LOAD)

GLASS CHART		
GLASS TYPE	MAXIMUM D.L.O.	MAX DESIGN LOAD
GL-1	30" W x 87" H	+110.0/-110.0 PSF
	27" W x 110" H	+80.0/-80.0 PSF
GL-2	27" W x 110" H	+80.0/-80.0 PSF

GLASS SCHEDULE LARGE MISSILE IMPACT RESISTANT	
GL-1	= 7/16" (.454") LAMINATED 3/16" (.182") HS -.090" P.V.B. INTERLAYER (DUPONT BUTACITE) - 3/16" HEAT STRENGTHENED
GL-2	= 1-1/4" INSULATED 3/16" (.182") HS -.090" P.V.B. 3/16" HS 1/2" AIR GAP 3/16" TEMPERED

MAX PANEL WIDTH
DLO + 9" FOR DIE # 16012 (#2)
DLO + 7.62" FOR DIE # 16013 (#2A)

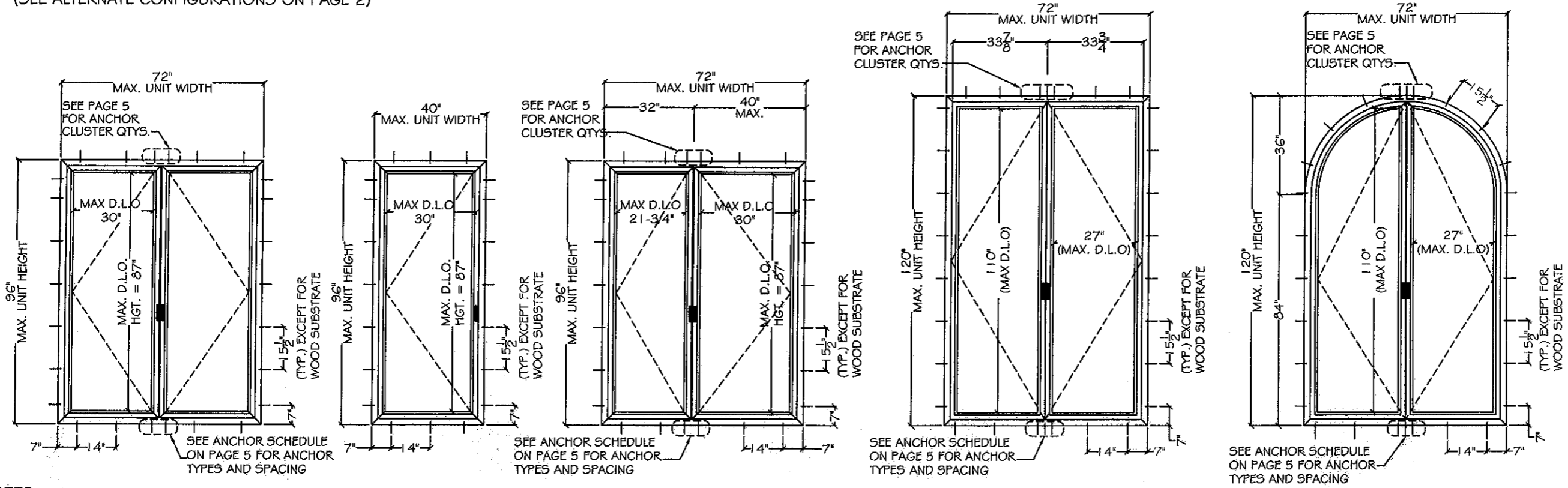
MAX PANEL HEIGHT
DLO + 9" FOR DIE # 16012 (#2)
DLO + 7.62" FOR DIE # 16013 (#2A)

WATER INFILTRATION TEST PRESSURE
- WINDOWS UP TO 96" TALL: 16.5 PSF
- WINDOWS UP TO 120" TALL: 12 PSF WITH STANDRARD THRESHOLD

TYPICAL CONFIGURATIONS

MAX. WINDOW SIZES SHOWN

MULTIPLE UNITS STACKED SIDE BY SIDE
MUST HAVE APPROVED MULLIONS BETWEEN EACH DOOR FRAME
*(SEE ALTERNATE CONFIGURATIONS ON PAGE 2)



NOTES:

1. THIS SYSTEM HAS BEEN DESIGNED TO COMPLY WITH THE REQUIREMENTS OF THE HIGH VELOCITY HURRICANE ZONE AS DESCRIBED IN THE "2010 FLORIDA BUILDING CODE"
2. THIS WINDOW SYSTEM HAS BEEN TESTED, ENGINEERED AND APPROVED FOR DESIGN PRESSURES NOT TO EXCEED THOSE SHOWN IN SCHEDULE.
3. BUCK, OPENINGS & BUCK FASTENERS MUST BE DESIGNED & INSTALLED TO WITHSTAND WIND LOADS FOR EACH APPLICATION. THE DESIGN & ENGINEERING OF BUCKS SHALL BE PROVIDED BY "THE ENGINEER OF RECORD"
4. BUCK FASTENERS MAY NOT EXCEED 16" O.C. SPACING AROUND OPENINGS.
5. THE SYSTEM SHOWN HEREIN WAS TESTED FOR WATER, AIR, IMPACT, CYCLIC & UNIFORM STATIC AIR PRESSURE TESTING IN CONFORMANCE WITH DADE COUNTY PROTOCOLS TAS-201, 202 & 203.
6. ONE-THIRD INCREASE IN ALLOWABLE MATERIAL STRESS LIMITS FOR SHORT DURATION WIND LOAD NOT USED IN THE DESIGN CALCULATIONS. EXCEPT 1.6 WINDLOAD FACTOR FOR WOOD.

PRODUCT REVISED
as complying with the Florida
Building Code
Acceptance No 12-0503.04
Expiration Date Feb. 27, 2018
By *Marcus Perez*
Miami Dade Product Control

LA FINESTRA, L.C.
ITALIAN WINDOWS & DOORS
2790 Northwest 104th Court
Miami, FL 33172-2175
Phone (305) 599-8093
Fax (305) 592-4671

BRONX ENGINEERING, INC.
STRUCTURAL ENGINEERING SERVICES
5840 N.W. 34th Avenue, Suite 100
Fort Lauderdale, FL 33306
APR 30 2011
FLORIDA STATE SEAL #45984

PRODUCT:
EKU-53
IMPACT
WINDOWS

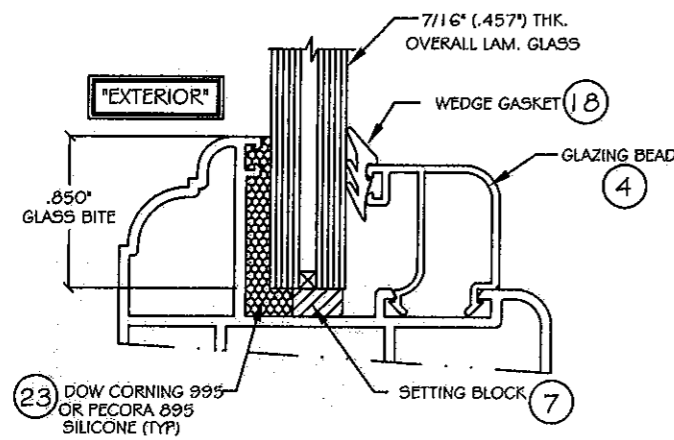
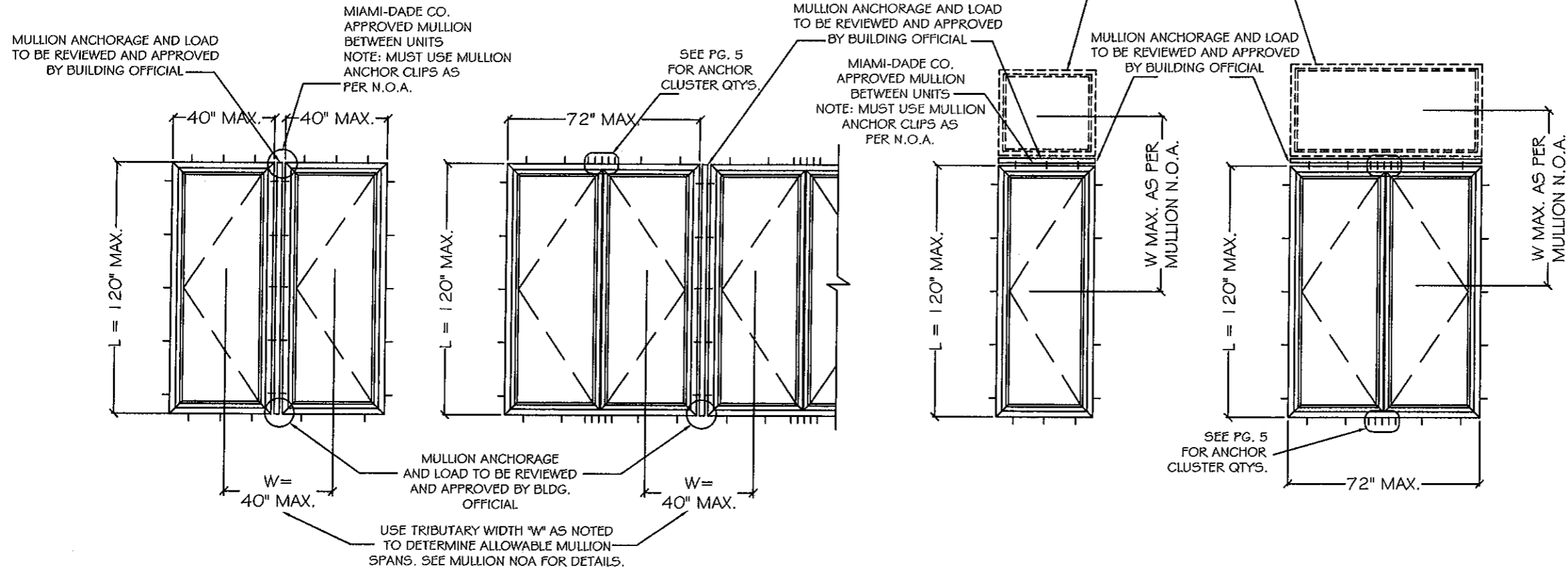
NO.	DATE	BY	DESCRIPTION
1	4/30/12	BM	CODE UPGRADE

DATE: 03/16/2010
SCALE: NTS.
DWG. BY: LA FIN
CHK. BY:

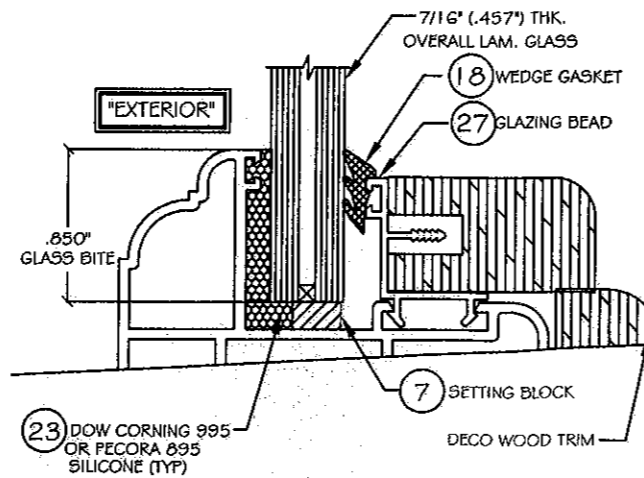
DRAWING No.:
FN-EKU53
SHEET: 1 OF 10

ALTERNATE CONFIGURATIONS

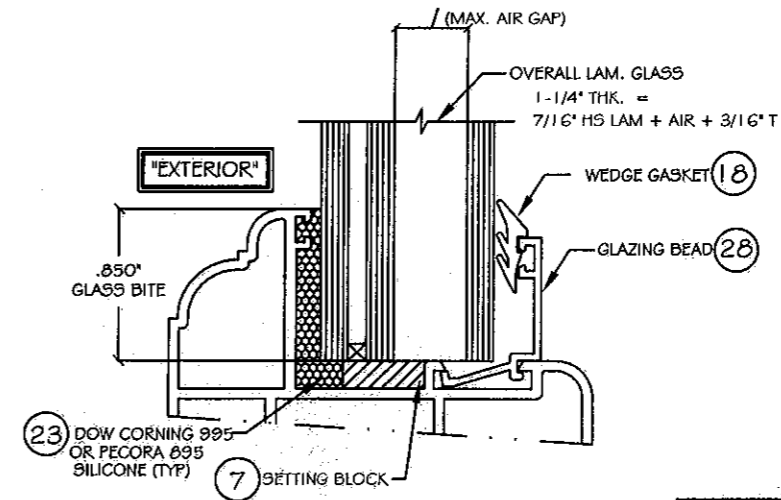
UNITS MAY BE INSTALLED WITH A MIAMI-DADE COUNTY APPROVED MULLION BETWEEN EACH WINDOW AND/OR FRAME. THE LOWEST DESIGN PRESSURE FOR THE WINDOW, TRANSOM OR MULLION WILL CONTROL.



GLAZING DETAIL GL-1
SCALE: NTS.
MAX D.P. = +110 / -110 PSF



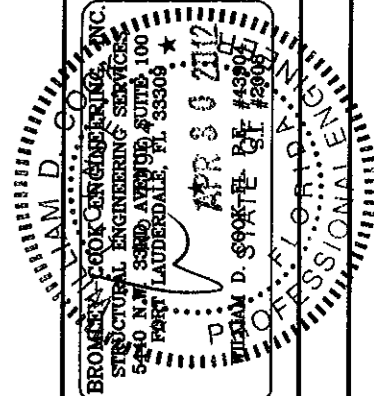
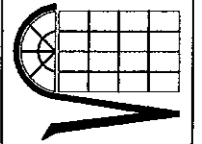
GLAZING DETAIL GL-1 (WITH WOOD TRIM) OPTION
SCALE: NTS.
MAX D.P. = +80 / -80 PSF



GLAZING DETAIL GL-2
SCALE: NTS. MAX D.P. = +80 / -80 PSF

PRODUCT REVISED as complying with the Florida Building Code
Acceptance No 12-0503.04
Expiration Date Feb. 21, 2018
By *Manuel Jerez*
Miami Dade Product Control

LA FINESTRA, L.C.
ITALIAN WINDOWS & DOORS
2790 Northwest 104th Court
Miami, FL 33172-2175
Phone (305) 599-8093
Fax (305) 592-4671



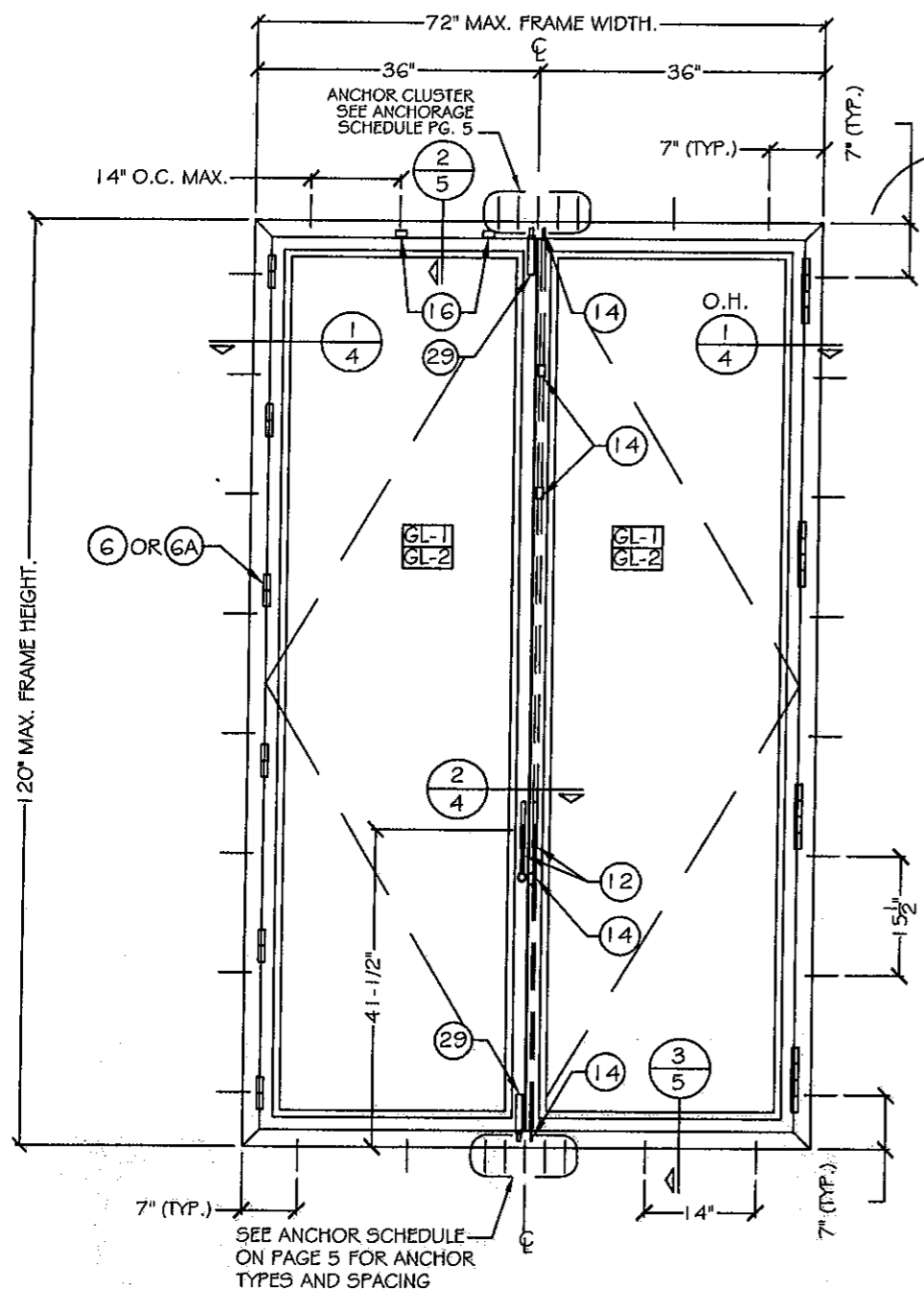
PRODUCT: EKU-53 IMPACT WINDOWS

REVISIONS	No.	DATE	BY	DESCRIPTION
	1	4/30/12	BM	CODE UPGRADE

DATE: 03/16/2010
SCALE: 3/8" = 1'-0"
DWG. BY: LA FIN
CHK. BY:

DRAWING No.: FN-EKU53
SHEET: 2 OF 10

SERIES EKU-53 ALUMINUM CASEMENT WINDOWS (UNIT ELEVATIONS VIEWED FROM EXTERIOR)

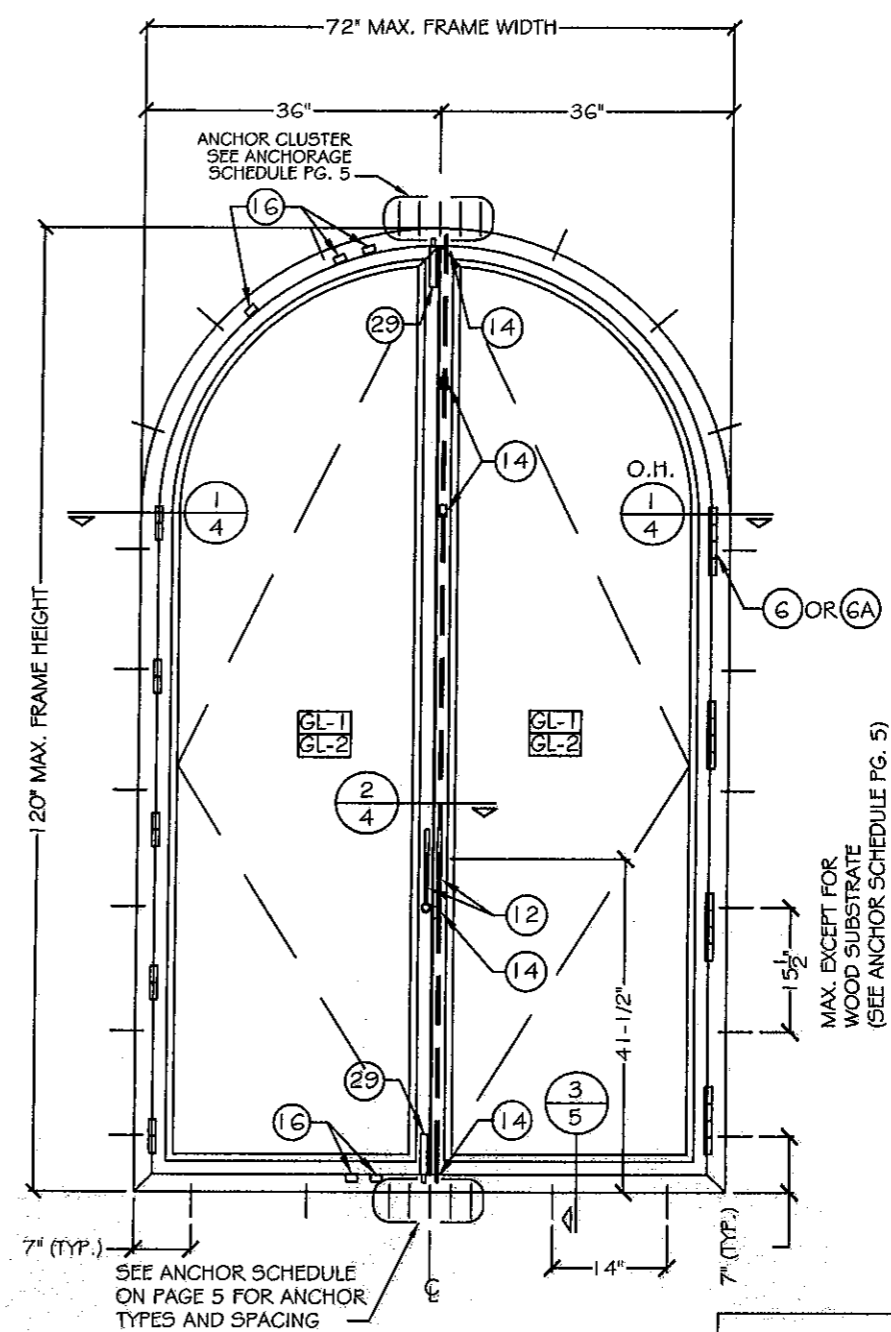


NOTE: FOR ODD NUMBER OF ANCHORS IN CLUSTER, INSTALL ONE ANCHOR IN CENTER OF INTERLOCK.

TYP. ANCHOR LOCATIONS @ HEAD & SILL

HARDWARE	
(2) OPERATING HANDLE	
(14) 5-POINT LOCKING SYSTEM	
(16) MUSHROOM HEAD AND KEEPERS	
(29) FLUSH BOLT	
HINGES	
(6) OR (6A)	
- 120" DOOR: FASTEN (8) PAIRS OF HINGES IN (4) "CLUSTERS" IN EACH PANEL OR (5) PAIR EQUALLY SPACED ON EACH PANEL	
- 96" DOOR: FASTEN (6) PAIRS OF HINGES IN (3) "CLUSTERS" IN EACH PANEL. OR (5) PAIRS EQUALLY SPACED ON EACH PANEL	
GLAZING	
GL-1 GL-2	
SEE ALLOWABLE GLASS DLO ON SHEET 1	

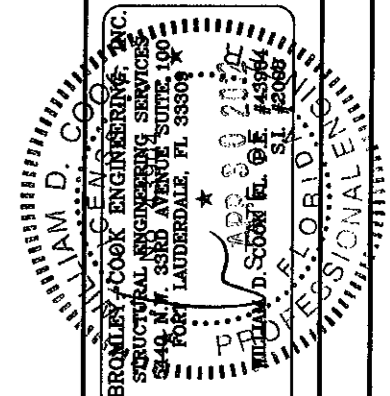
MAX. EXCEPT FOR WOOD SUBSTRATE (SEE ANCHOR SCHEDULE PG. 5)



NOTE: FOR ODD NUMBER OF ANCHORS IN CLUSTER, INSTALL ONE ANCHOR IN CENTER OF INTERLOCK.

PRODUCT REVISED as complying with the Florida Building Code
 Acceptance No. 12-0503.04
 Expiration Date Feb. 27, 2018
 By *Manuel Arz*
 Miami Dade Product Control

LA FINESTRA, L.C.
 ITALIAN WINDOWS & DOORS
 2790 Northwest 104th Court
 Miami, FL 33172-2175
 Phone (305) 599-8093
 Fax (305) 592-4671

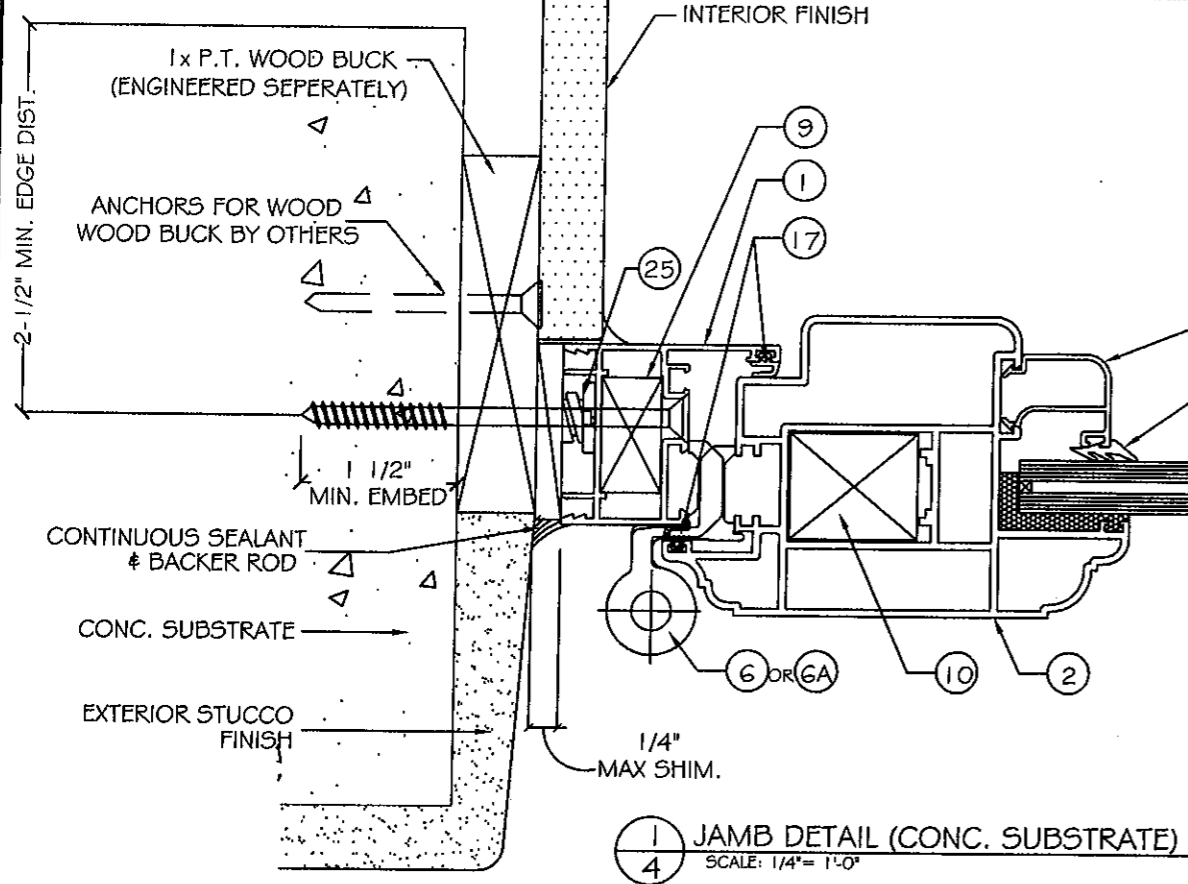


PRODUCT: EKU-53 IMPACT WINDOWS

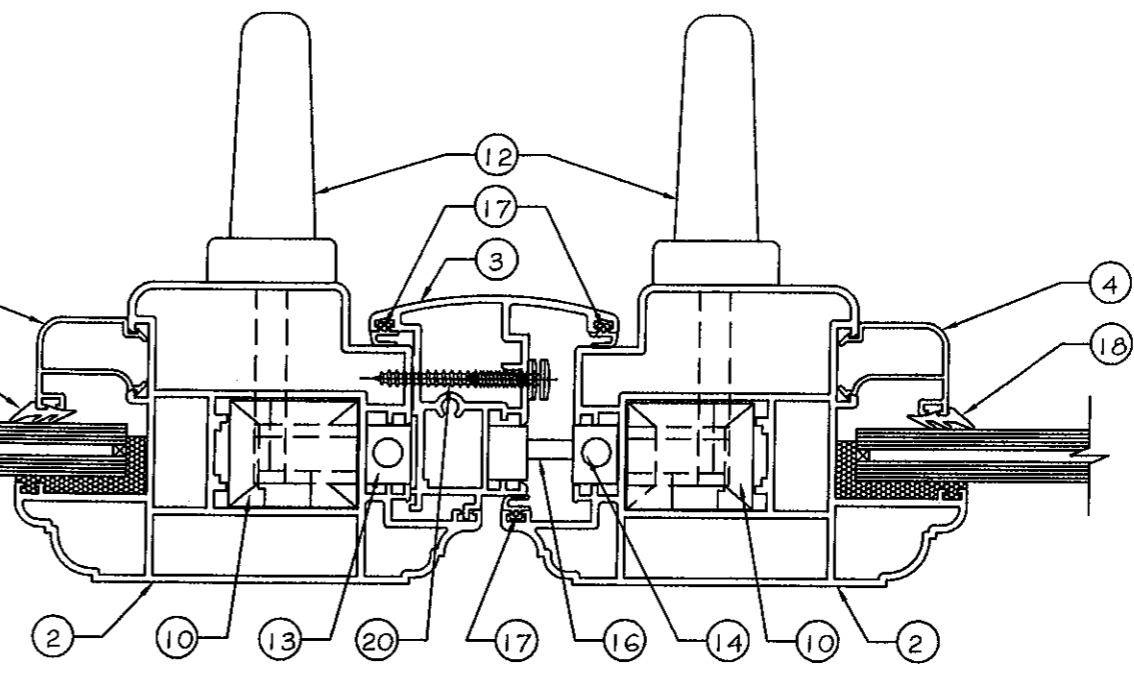
REVISIONS	
No.	DESCRIPTION
1	4/30/12 BM CODE UPGRADE

DATE: 03/16/2010
 SCALE: 1/2" = 1'-0"
 DWG. BY: LA FIN
 CHK. BY:

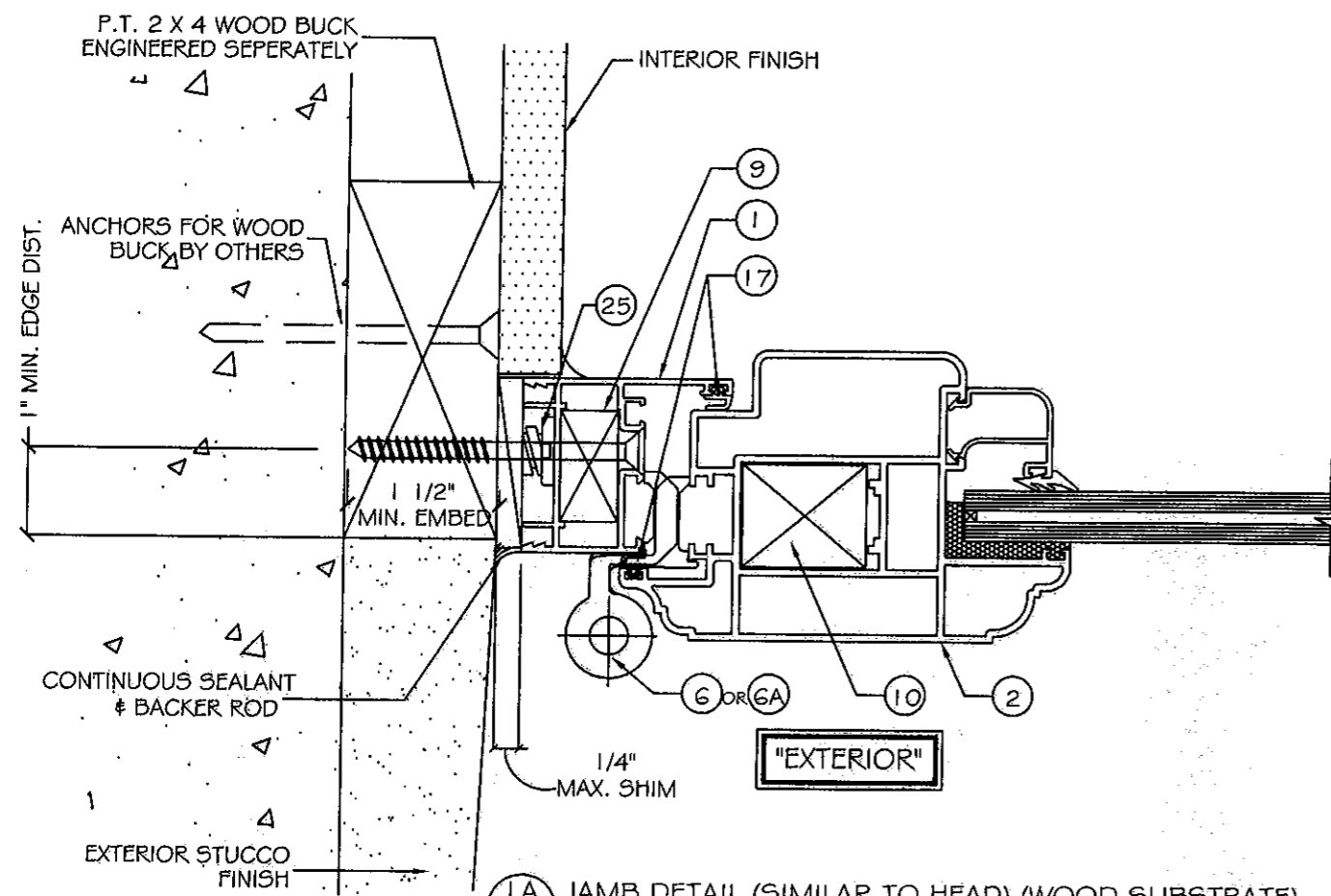
DRAWING No.: FN-EKU53
 SHEET: 3 OF 10



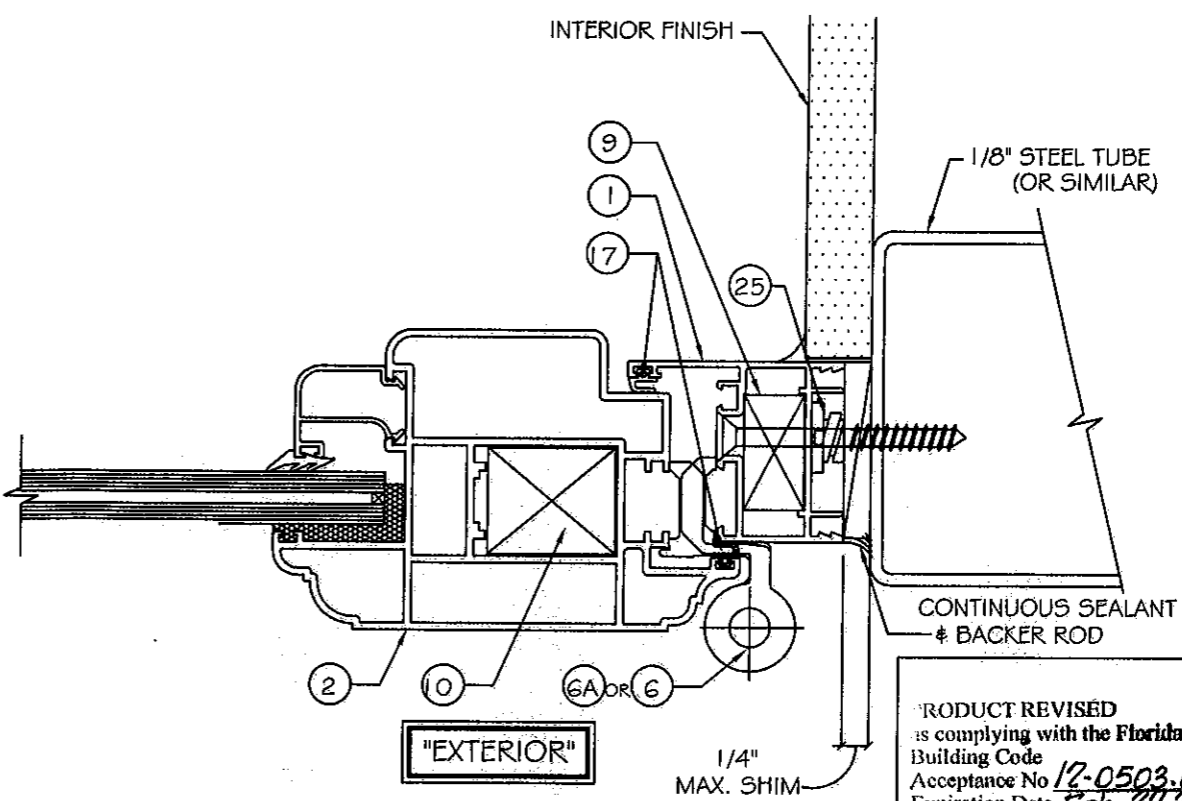
1 JAMB DETAIL (CONC. SUBSTRATE)
4 SCALE: 1/4" = 1'-0"



2 ASTRAGAL DETAIL
4 SCALE: 1/4" = 1'-0"



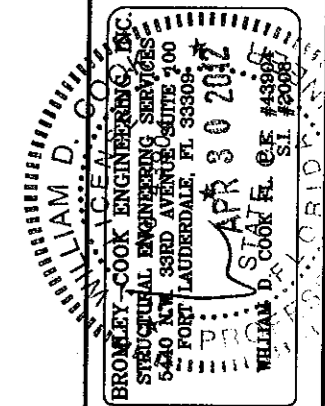
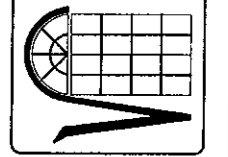
1A JAMB DETAIL (SIMILAR TO HEAD) (WOOD SUBSTRATE)
4 SCALE: 1/4" = 1'-0"



1B JAMB DETAIL (SIMILAR TO HEAD) (METAL SUBSTRATE)
4 SCALE: 1/4" = 1'-0"

PRODUCT REVISED
as complying with the Florida
Building Code
Acceptance No 12-0503.04
Expiration Date Feb 21, 2018
By *Manuel Perez*
Miami Dade Product Control

LA FINESTRA, L.C.
ITALIAN WINDOWS & DOORS
2790 Northwest 104th Court
Miami, FL 33172-2175
Phone (305) 599-8093
Fax (305) 592-4671

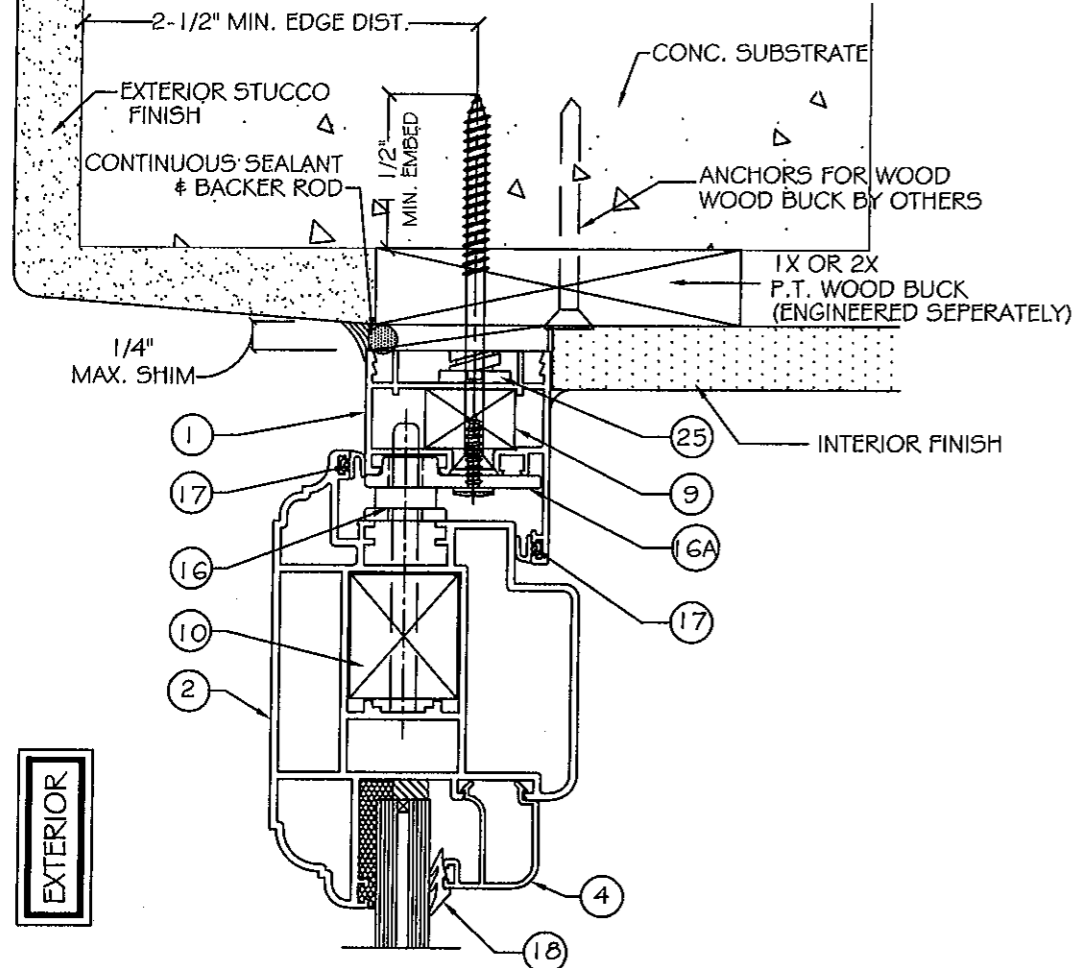


PRODUCT:
**EKU-53
IMPACT
WINDOWS**

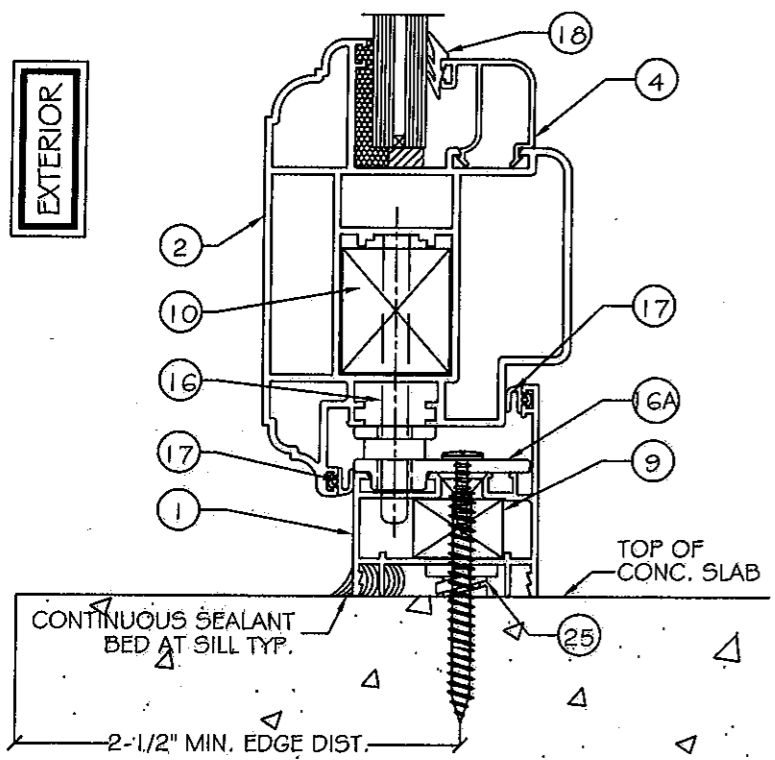
NO.	DATE	BY	DESCRIPTION
1	4/30/12	BM	CODE UPGRADE

DATE: 03/16/2010
SCALE: AS NOTED
DWG. BY: LA FN
CHK. BY:

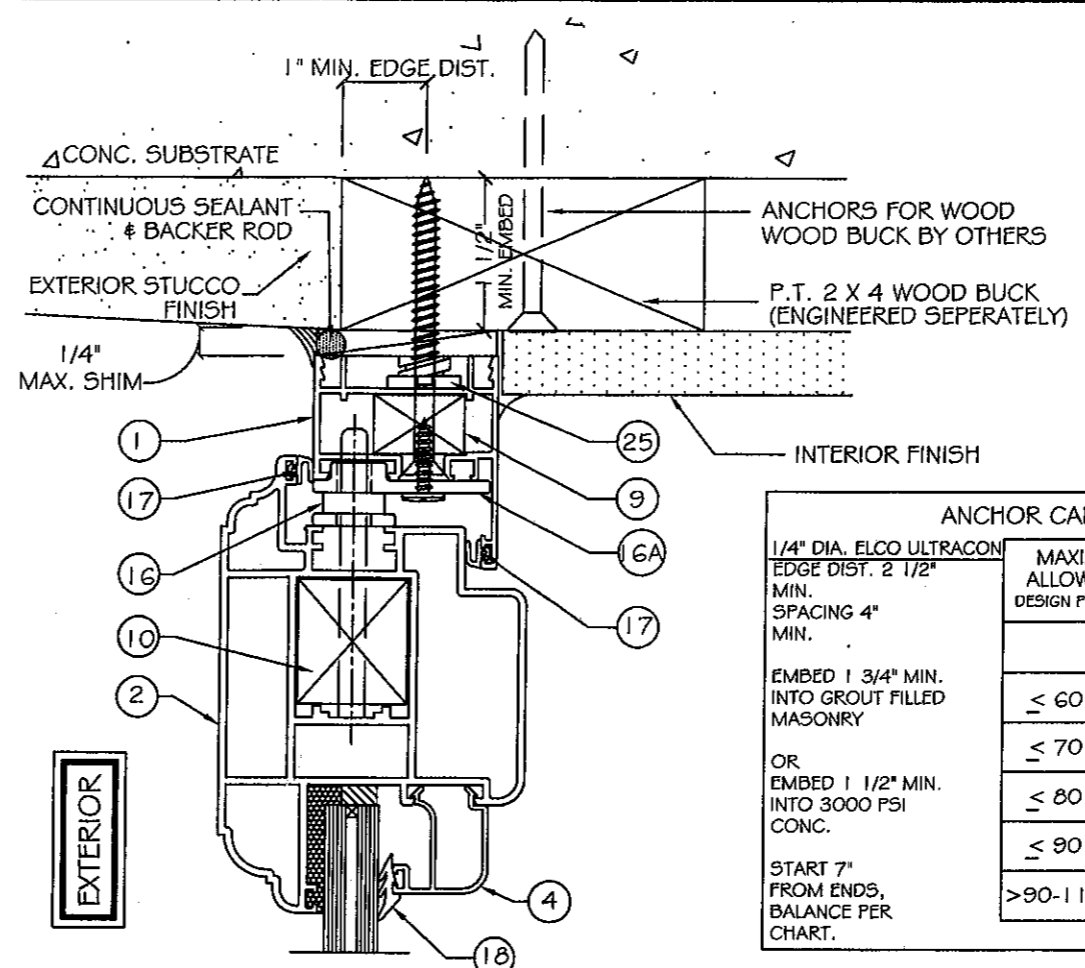
DRAWING No.:
FN-EKU53
SHEET: 4 OF 10



2 HEAD DETAIL (CONC. SUBSTRATE)
SCALE: 1/4" = 1'-0"



3 SILL DETAIL (STANDARD THRESHOLD)
SCALE: 3/16" = 1'-0"



4 HEAD DETAIL (WOOD SUBSTRATE)
SCALE: 3/16" = 1'-0"

ANCHOR CAPACITY CHART (CONCRETE SUBSTRATE)

1/4" DIA. ELCO ULTRACON
EDGE DIST. 2 1/2"
MIN.
SPACING 4"
MIN.
EMBED 1 3/4" MIN.
INTO GROUT FILLED
MASONRY
OR
EMBED 1 1/2" MIN.
INTO 3000 PSI
CONC.
START 7"
FROM ENDS,
BALANCE PER
CHART.

MAXIMUM ALLOWABLE DESIGN PRESSURE	ANCHORS AT JAMBS	QTY. ANCHORS AT INTERLOCK	
		(W/ FRAME INSERT)	
		UP TO 96"	UP TO 120"
< 60 P.S.F.	15-1/2" C/C	2	3
< 70 P.S.F.	15-1/2" C/C	2	3
< 80 P.S.F.	15-1/2" C/C	3	3
< 90 P.S.F.	15-1/2" C/C	3	N/A
>90-110 P.S.F.	15-1/2" C/C	3	N/A

SPACED 4" APART

ANCHOR CAPACITY CHART (STEEL SUBSTRATE)

#14 P.H.S.M.S.
OR
#14 SELF DRILLING
INTO 1/8" THK.
ASTM A36
START 7"
FROM ENDS,
BALANCE PER
CHART.

MAXIMUM ALLOWABLE DESIGN PRESSURE	ANCHORS AT JAMBS	QTY. ANCHORS AT INTERLOCK	
		(W/ FRAME INSERT)	
		UP TO 96"	UP TO 120"
< 60 P.S.F.	15-1/2" C/C	2	3
< 70 P.S.F.	15-1/2" C/C	2	3
< 80 P.S.F.	15-1/2" C/C	3	3
< 90 P.S.F.	15-1/2" C/C	3	N/A
>90-110 P.S.F.	15-1/2" C/C	3	N/A

SPACED 2 1/2" APART

ANCHOR CAPACITY CHART (WOOD SUBSTRATE)

#14 P.H.S.M.S.
OR
#14 WOOD SCREW
EMBED 1 1/2" MIN.
INTO NO. 2 SYP.
START 7"
FROM ENDS,
BALANCE PER
CHART.

MAXIMUM ALLOWABLE DESIGN PRESSURE	ANCHORS AT JAMBS	QTY. ANCHORS AT INTERLOCK	
		(W/ FRAME INSERT)	
		UP TO 96"	UP TO 120"
< 60 P.S.F.	12" C/C	4	5
< 70 P.S.F.	12" C/C	4	5
< 80 P.S.F.	12" C/C	5	6
< 90 P.S.F.	12" C/C	5	N/A
>90-110 P.S.F.	12" C/C	6	N/A

SPACED 2 1/2" APART

PRODUCT REVISED
as complying with the Florida
Building Code
Acceptance No 12-0503.04
Expiration Date Feb. 27, 2018
By *Manuel Perez*
Miami/Dade Product Control

LA FINESTRA, L.C.
ITALIAN WINDOWS & DOORS
2790 Northwest 104th Court
Miami, FL 33172-2175
Phone (305) 599-8093
Fax (305) 592-4671

BROOKLYN, COOK, ENGINEERING, INC.
STRUCTURAL ENGINEERING SERVICES
5400 N.W. 33RD AVENUE SUITE 100
FORT LAUDERDALE, FL 33309
APR 30 2012
P.E. #49804
MISAM D.S. STATE OF FLORIDA

PRODUCT:
EKU-53
IMPACT
WINDOWS

REVISIONS

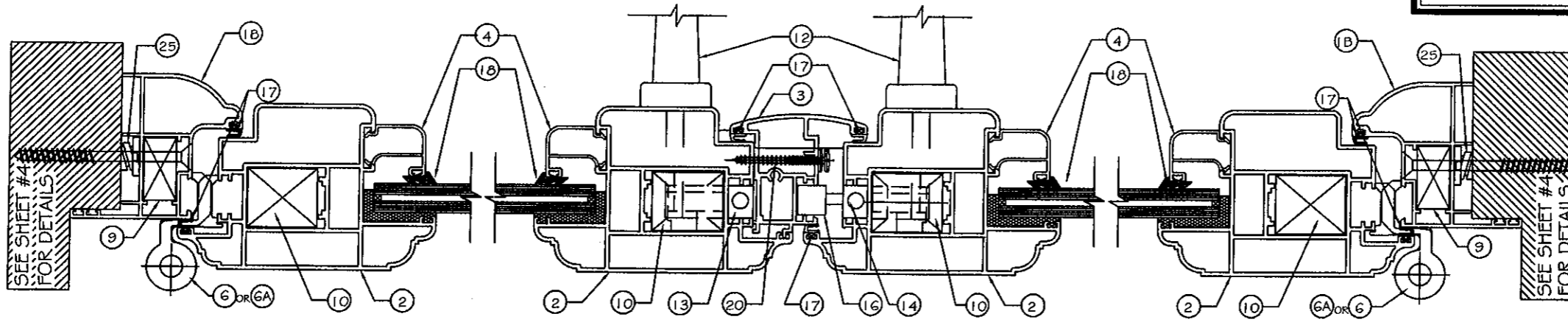
NO.	DATE	DESCRIPTION
1	4/7/30/12	BM CODE UPGRADE

DATE: 03/16/2010
SCALE: 3/16" = 1'-0"
DWG. BY: LA FIN
CHK. BY:

DRAWING No.:
FN-EKU53
SHEET: 5 OF 10

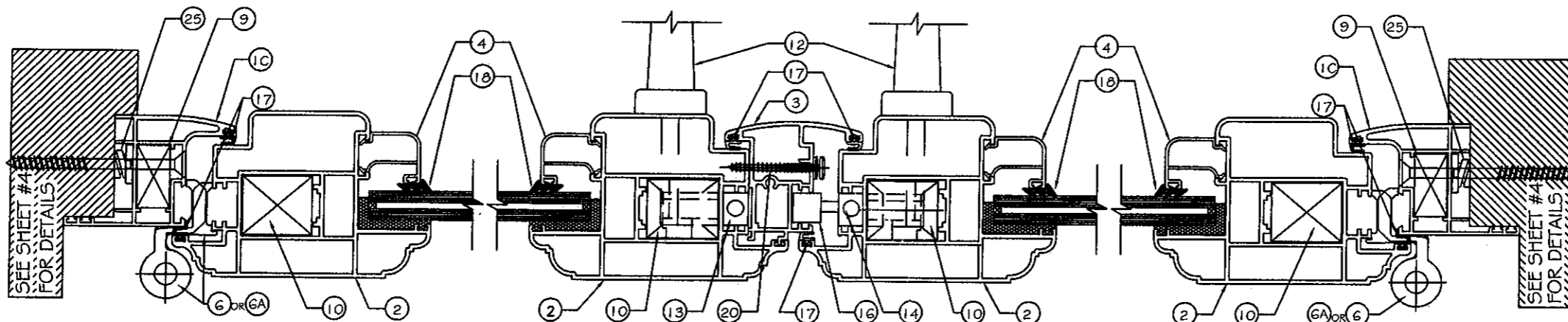
PROFILE COMBINATIONS

NOTE: PLEASE SEE D.P. LIMITATIONS FOR GLAZING BEAD ON SHEET 2



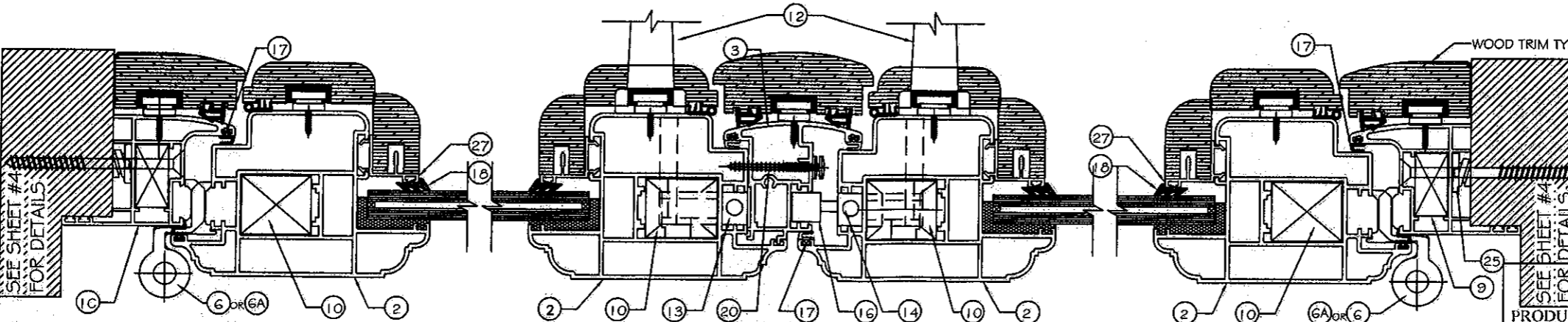
COMBINATION 1
SCALE: 3/16" = 1'-0"

MAXIMUM P.S.F. @ 96" +110.00 -110.00 DESIGN PRESSURE - WATER INFILTRATION TEST PRESSURE = 13.5 PSF
 MAXIMUM P.S.F. @ 120" +80.00 -80.00 DESIGN PRESSURE - WATER INFILTRATION TEST PRESSURE = 12.0 PSF



COMBINATION 2
SCALE: 3/16" = 1'-0"

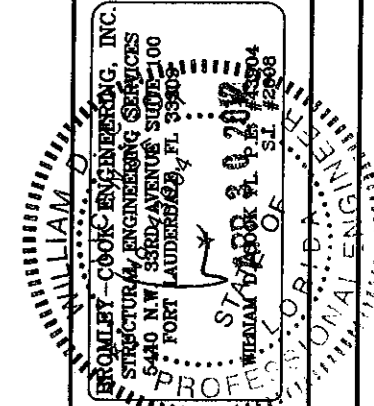
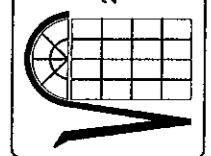
MAXIMUM P.S.F. @ 96" +110.00 -110.00 DESIGN PRESSURE - WATER INFILTRATION TEST PRESSURE = 13.5 PSF
 MAXIMUM P.S.F. @ 120" +80.00 -80.00 DESIGN PRESSURE - WATER INFILTRATION TEST PRESSURE = 12.0 PSF



COMBINATION 2 WITH WOOD TRIM
SCALE: 3/16" = 1'-0"

MAXIMUM P.S.F. @ 120" +80.00 -80.00 DESIGN PRESSURE - WATER INFILTRATION TEST PRESSURE = 12.0 PSF

LA FINESTRA, L.C.
 ITALIAN WINDOWS & DOORS
 2790 Northwest 104th Court
 Miami, FL 33172-2175
 Phone (305) 599-8093
 Fax (305) 592-4671



PRODUCT: EKU-53 IMPACT WINDOWS

NO.	DATE	BY	DESCRIPTION
1	4/30/12	EM	CODE UPGRADE

DATE: 03/16/2010
 SCALE: AS NOTED
 DWG. BY: LA FIN
 CHK. BY:

PRODUCT REVISED as complying with the Florida Building Code Acceptance No. 12-0503.04 Expiration Date Feb. 27, 2018
 By *Manuel Perez*
 Miami Dade Product Control

DRAWING No.: FN-EKU53
 SHEET: 6 OF 10

PROFILE COMBINATIONS

NOTE: PLEASE SEE D.P. LIMITATIONS FOR GLAZING BEAD ON SHEET 2

LA FINESTRA, L.C.
 ITALIAN WINDOWS & DOORS
 2790 Northwest 104th Court
 Miami, FL 33172-2175
 Phone (305) 599-8093
 Fax (305) 592-4671

BROOKLYN-COOK ENGINEERING, INC.
 STRUCTURAL ENGINEERING SERVICES
 6440 N.W. 33RD AVENUE, SUITE 100
 MIAMI, FL 33147
 WILLIAM D. COOK, P.E. #45804
 S.I. #2008

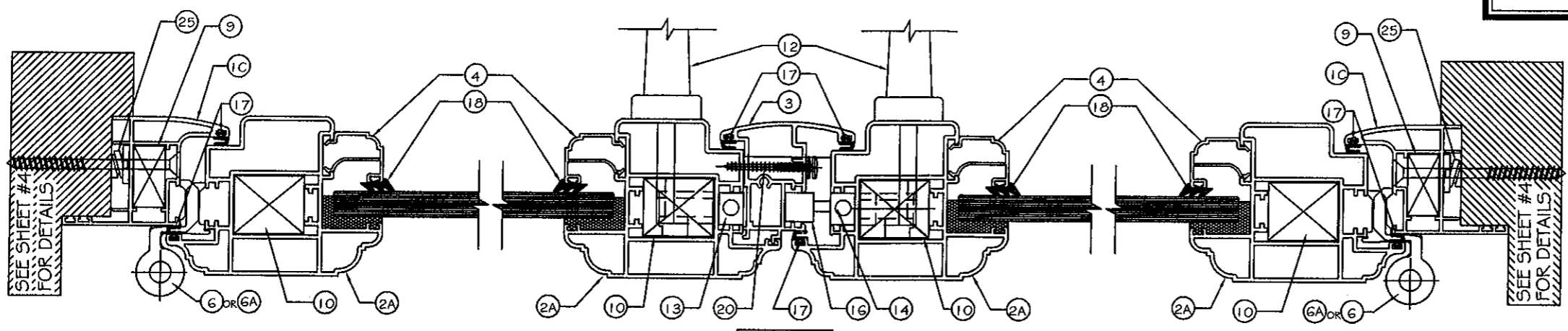
PRODUCT:
**EKU-53
 IMPACT
 WINDOWS**

NO.	DATE	BY	DESCRIPTION
1	4/30/12	BM	CODE UPGRADE

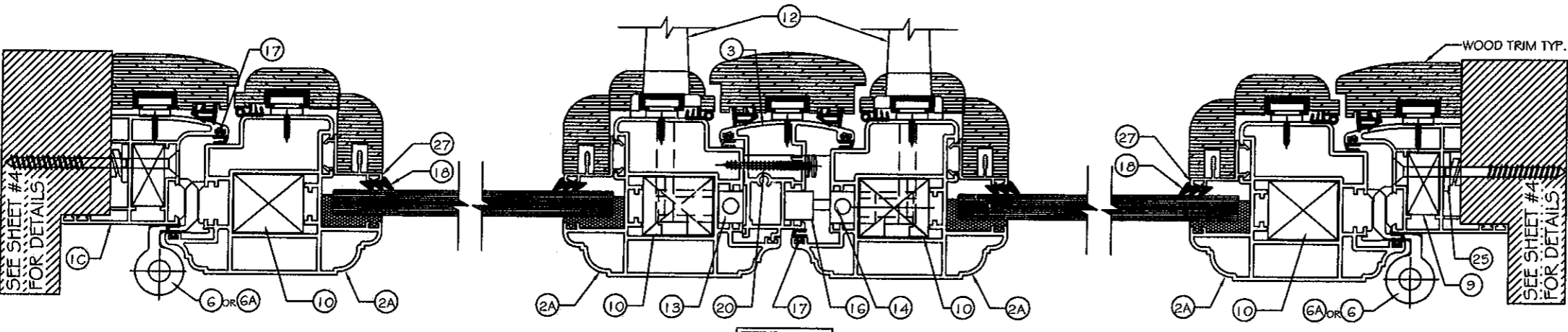
DATE: 03/16/2010
 SCALE: AS NOTED
 DWG. BY: LA FIN
 CHK. BY:

DRAWING No.:
 FN-EKU53
 SHEET: 7 OF 10

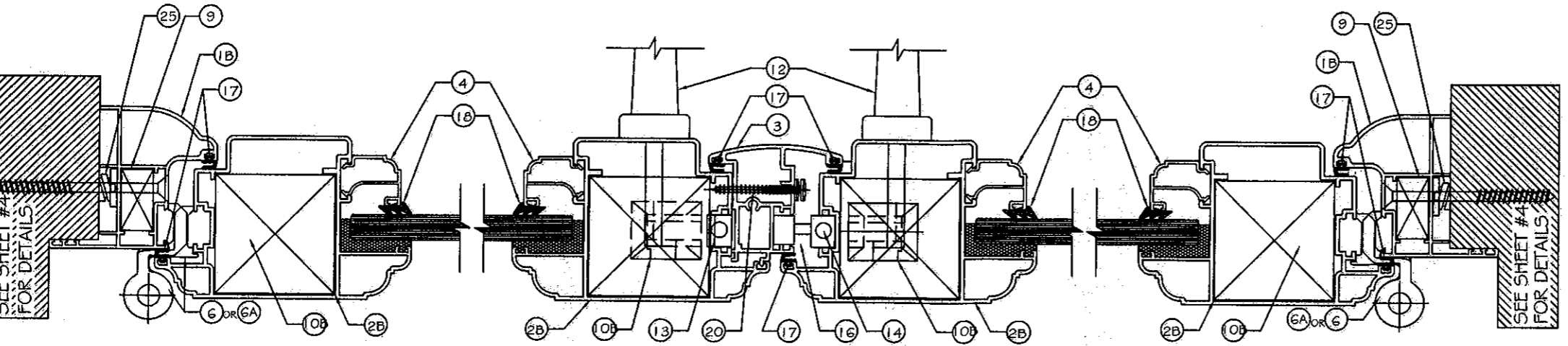
PRODUCT REVISED
 as complying with the Florida
 Building Code
 Acceptance No 12-0503.04
 Expiration Date Feb. 27, 2018
 By *Manuel Jimenez*
 Miami/Dade Product Control



COMBINATION 3
 SCALE: 3/16" = 1'-0"
 MAXIMUM P.S.F. @ 96" +110.00 -110.00 DESIGN PRESSURE - WATER INFILTRATION TEST PRESSURE = 13.5 PSF
 MAXIMUM P.S.F. @ 120" +80.00 -80.00 DESIGN PRESSURE - WATER INFILTRATION TEST PRESSURE = 12.0 PSF

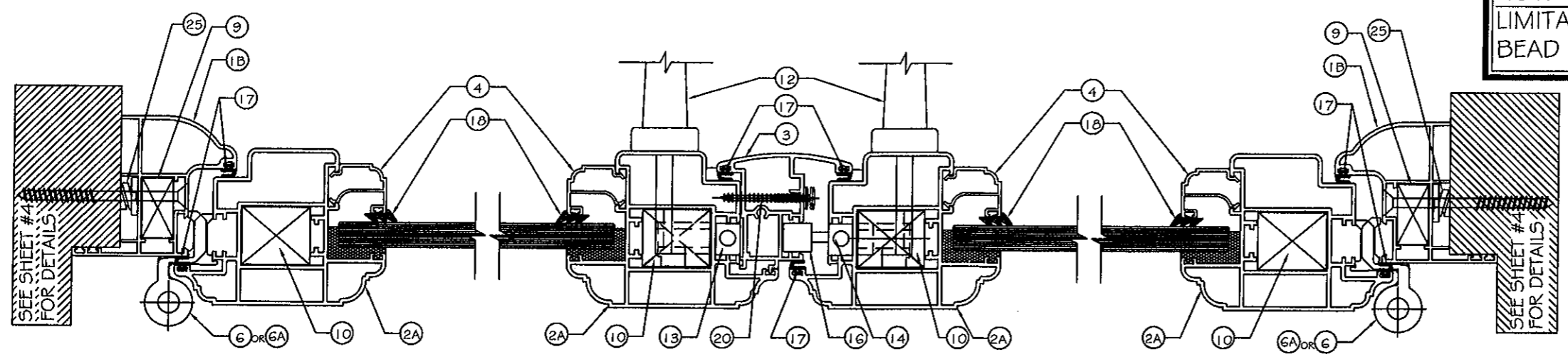


COMBINATION 3 WITH WOOD TRIM
 SCALE: 3/16" = 1'-0"
 MAXIMUM P.S.F. @ 120" +80.00 -80.00 DESIGN PRESSURE - WATER INFILTRATION TEST PRESSURE = 12.0 PSF



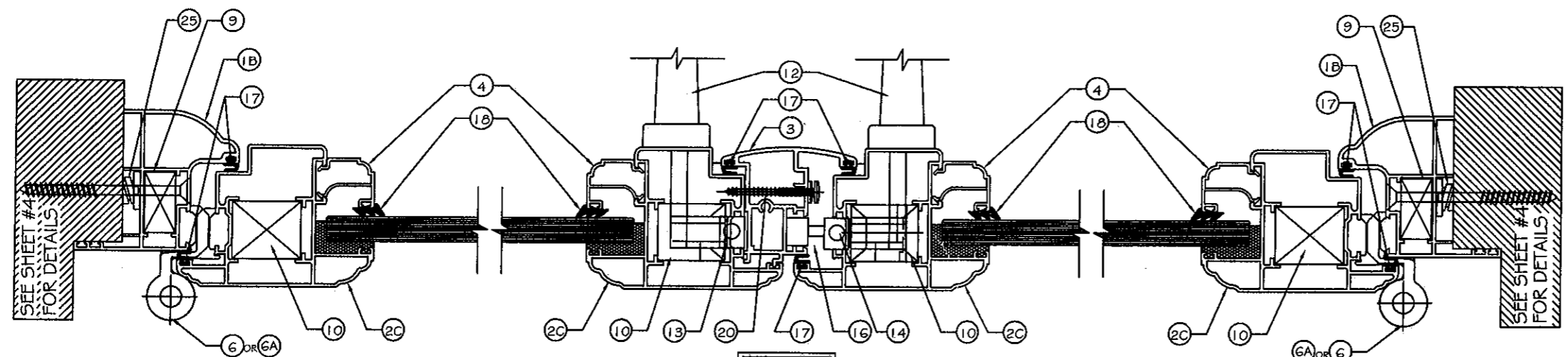
COMBINATION 4
 SCALE: 3/16" = 1'-0"
 MAXIMUM P.S.F. @ 96" +110.00 -110.00 DESIGN PRESSURE - WATER INFILTRATION TEST PRESSURE = 13.5 PSF
 MAXIMUM P.S.F. @ 120" +80.00 -80.00 DESIGN PRESSURE - WATER INFILTRATION TEST PRESSURE = 12.0 PSF

NOTE: PLEASE SEE D.P. LIMITATIONS FOR GLAZING BEAD ON SHEET 2



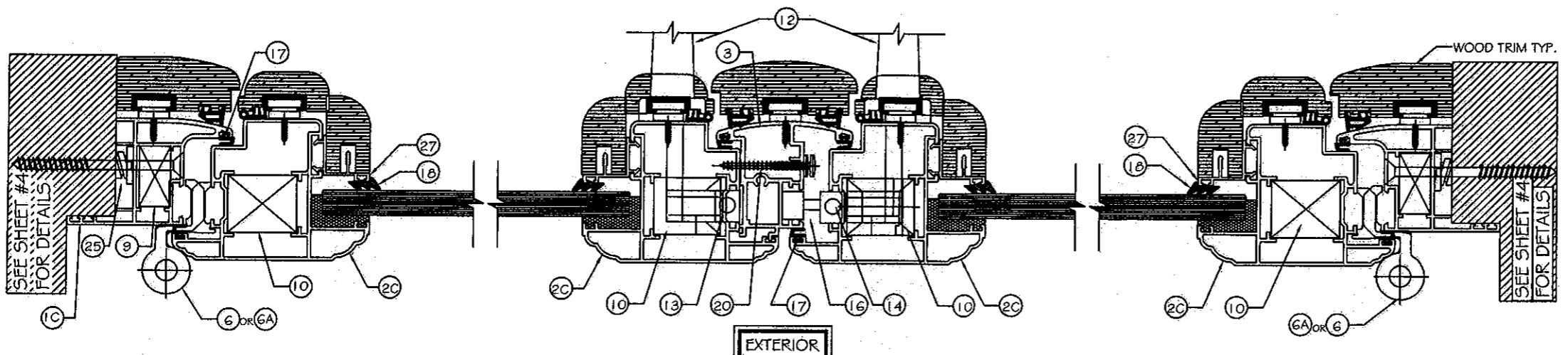
COMBINATION 5
SCALE: 3/16" = 1'-0"

MAXIMUM P.S.F. @ 96" +110.00 -110.00 DESIGN PRESSURE - WATER INFILTRATION TEST PRESSURE = 13.5 PSF
 MAXIMUM P.S.F. @ 120" +80.00 -80.00 DESIGN PRESSURE - WATER INFILTRATION TEST PRESSURE = 12.0 PSF



COMBINATION 6
SCALE: 3/16" = 1'-0"

MAXIMUM OF 96" H D.P. = +80 / -80 PSF WATER @ 12.0 PSF



COMBINATION 7 WITH WOOD TRIM
SCALE: 3/16" = 1'-0"
NOTE: WOOD TRIM IS OPTIONAL

MAXIMUM OF 96" H D.P. = +80 / -80 PSF WATER @ 12.0 PSF

LA FINESTRA, L.C.
 ITALIAN WINDOWS & DOORS
 2790 Northwest 104th Court
 Miami, FL 33172-2175
 Phone (305) 599-8093
 Fax (305) 592-4671

BROMLEY COOK ENGINEERING, INC.
 STRUCTURAL ENGINEERING SERVICES
 5440 NW 38RD AVENUE, SUITE 100
 FORT LAUDERDALE, FL 33309
 APR 3 2010
 WILLIAM D. COOK P.E. #43804
 STATE OF FLORIDA
 PROFESSIONAL ENGINEER

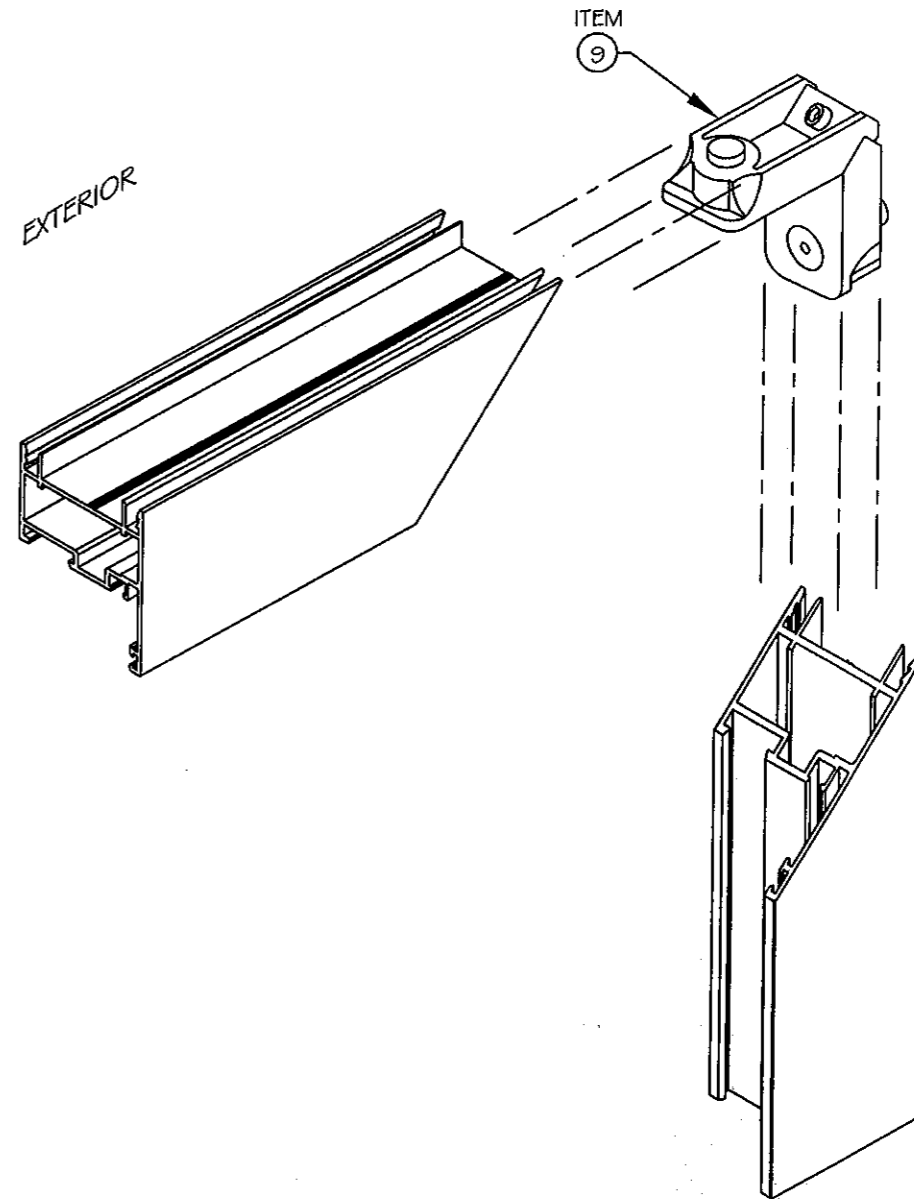
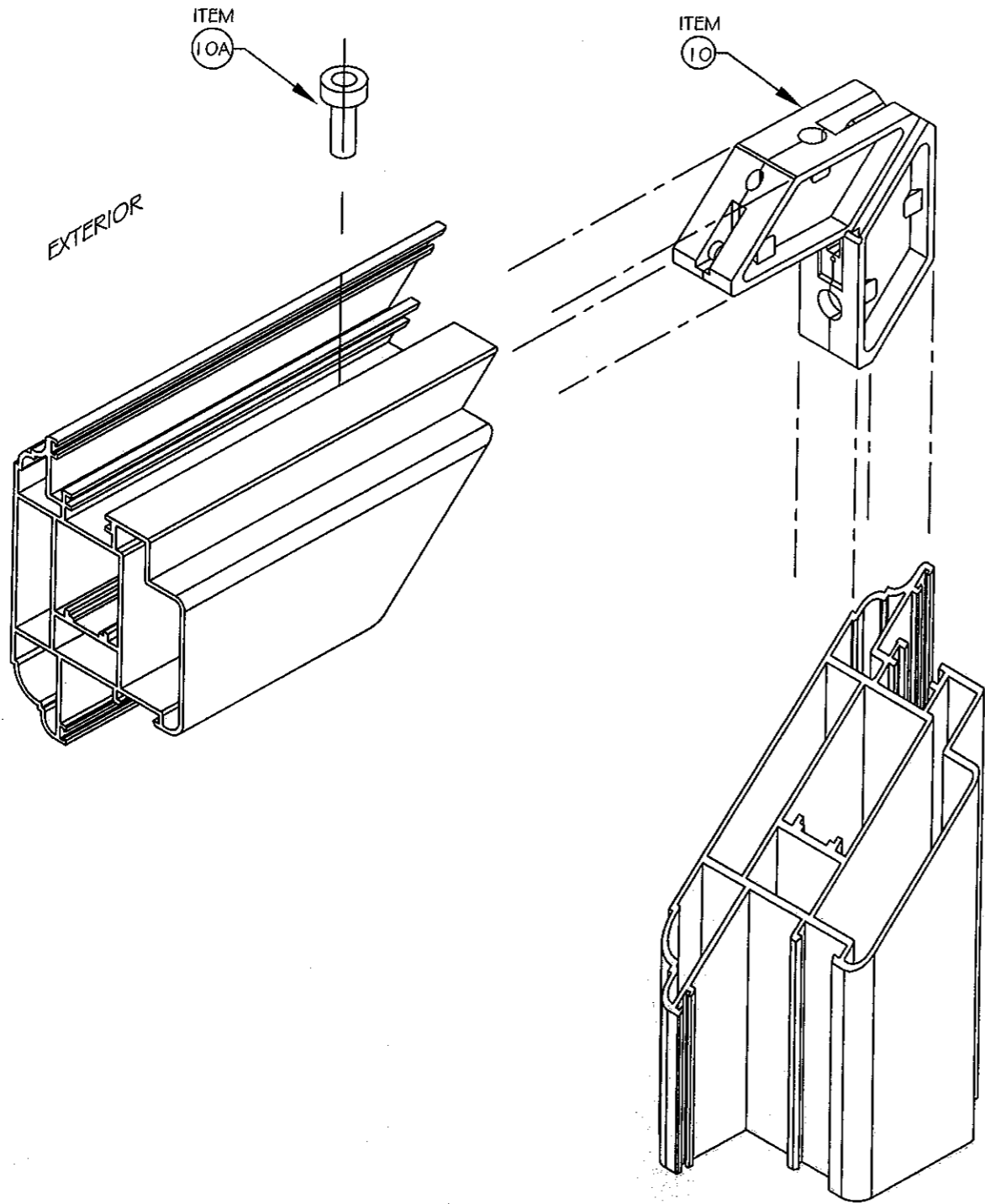
PRODUCT:
**EKU-53
 IMPACT
 WINDOWS**

NO.	DATE	BY	DESCRIPTION
1	4/30/12	BM	CODE UPGRADE

PRODUCT REVISED
 as complying with the Florida
 Building Code
 Acceptance No **12-0503.04**
 Expiration Date **Feb. 27, 2018**
 By *Manuel Diaz*
 Miami/Dade Product Control

DATE: 03/16/2010
 SCALE: AS NOTED
 DWG. BY: LA FIN
 CHK. BY:

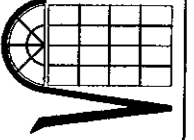
DRAWING No.:
FN-EKU53
 SHEET: 8 OF 10



NOTE: SEAL JOINTS WITH POLYURETHANE SEALANT DURING ASSEMBLY

PRODUCT REVISED as complying with the Florida Building Code
 Acceptance No. 12-0503.04
 Expiration Date Feb. 27, 2018
 By *Manuel Serrano*
 Miami/Dade Product Control

L.A. FINESTRA, L.C.
 ITALIAN WINDOWS & DOORS
 2790 Northwest 104th Court
 Miami, FL 33172-2175
 Phone (305) 599-8093
 Fax (305) 592-4671



WILLIAM D. ...
 BROMSEY-COOK-ENGINEERING, INC.
 STRUCTURAL ENGINEERING SERVICES
 5420 NW 33RD AVENUE, SUITE 106
 FORT LAUDERDALE, FL 33309
 APR 30 2012
 WILLIAM D. COOK P.E. #43804
 ST. ...

PRODUCT:
 EKU-53
 IMPACT
 WINDOWS

REVISIONS		DATE	BY	DESCRIPTION
1		4/30/12	BM	CODE UPGRADE

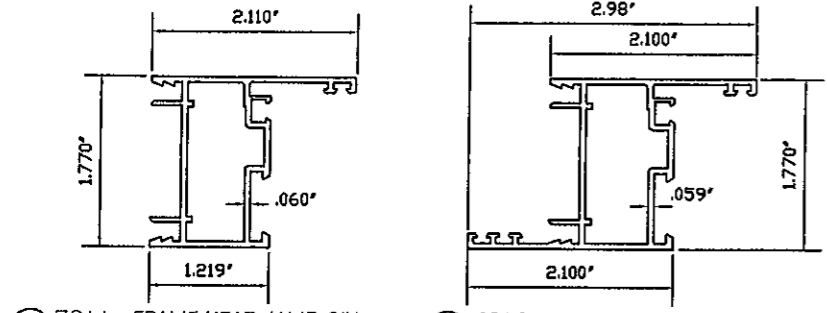
DATE: 03/16/2010
 SCALE: AS NOTED
 DWG. BY: LA FIN
 CHK. BY:

DRAWING No.:
 FN-EKU53

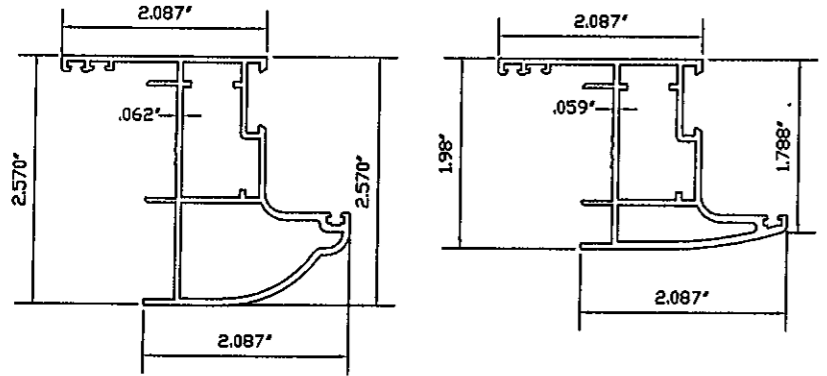
SHEET 9 OF 10

BILL OF MATERIALS

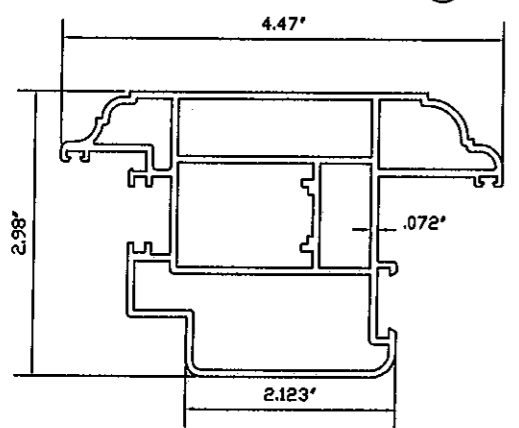
ITEM	PART No.	QUANTITY	DESCRIPTION	MATERIAL	LOCATION	MANUFACTURER
1	7011	4	FRAME HEAD/JAMB/RESIDENTIAL SILL	AL.AL. -6060-T5	WINDOW FRAME	PROFILATI SpA
1A	7012	4	FRAME HEAD/JAMB/RESIDENTIAL SILL	AL.AL. -6060-T5	WINDOW FRAME	PROFILATI SpA
1B	17948	4	FRAME HEAD/JAMB/RESIDENTIAL SILL	AL.AL. -6063-T5	WINDOW FRAME	PROFILATI SpA
1C	17949	4	FRAME HEAD/JAMB/RESIDENTIAL SILL	AL.AL. -6063-T5	WINDOW FRAME	PROFILATI SpA
2	Z16012	4	PANEL HEAD/JAMB/SILL	AL.AL. -6060-T5	WINDOW FRAME	PROFILATI SpA
2A	Z16013	4	PANEL HEAD/JAMB/SILL	AL.AL. -6063-T5	WINDOW FRAME	PROFILATI SpA
2B	Z19678	4	PANEL HEAD/JAMB/SILL	AL.AL. -6063-T5	WINDOW FRAME	PROFILATI SpA
2C	Z18853	4	PANEL HEAD/JAMB/SILL	AL.AL. -6063-T5	WINDOW FRAME	PROFILATI SpA
3	Z16014	1	ASTRAGAL	AL.AL. -6060-T5	INACTIVE LEAF PANEL JAMB	PROFILATI SpA
4	4195	4/VENT	GLAZING BEAD	AL.AL. -6060-T5	PANEL PERIMETER	PROFILATI SpA
5	6009	1	COMMERCIAL THRESHOLD	AL.AL. -6060-T5	THRESHOLD	PROFILATI SpA
6	A8221	6/VENT	4" BUTTHINGES	AL.AL. -6060-T5	PANEL AND FRAME JAMBS	MASTER
6A	160/12	6/VENT	4" BUTTHINGES	AL.AL. -6060-T5	PANEL AND FRAME JAMBS	CASALI
7	N/A	2 EA. LITE OF GLASS	1/4" X 1/2" X 3" LG. SETTING BLOCK	EXTRUDED SILICONE	⊙ 6" FROM ENDS	GENERIC
9	0409	1 EA. CORNER	FRAME CORNER KEY	CAST ALUMINUM	FRAME CORNERS	MONTECELLI
10	5004	1 EA. CORNER	PANEL CORNER KEY	CAST ALUMINUM	PANEL CORNERS	MONTECELLI
10A	001	1 EA. CORNER	PANEL CORNER KEY	EXT. ALUMINUM	PANEL CORNERS	PROFILATI SpA
10B	002	1 EA. CORNER	PANEL CORNER KEY	EXT. ALUMINUM	PANEL CORNERS	PROFILATI SpA
12	SERIES 800	1/VENT	OPERATING HANDLE	ALUMINUM	EACH PANEL JAMB	PASINI
13	1025	2	TRANSMISSION MOVEMENT DEVISE	ZAMA/S.S.	PANEL JAMB ASTRAGAL SIDE ONLY	GSG
14	1286		5-POINT LOCKING SYSTEM	S.S.	ACTIVE PANEL	AMESBURY
15	FB-1300-20-SS	2	FLUSH BOLT	S.S.	ACTIVE PANEL	SULLIVAN
16	4031	AS SHOWN	MUSHROOM HEAD AND KEEPERS	S.S./ALUMINUM	PANEL JAMB AT TOP & BOTTOM	GSG/LAFIN
16A	CD-MPK-100-SS		MULTIPOINT KEEPER KIT	S.S./ALUMINUM	PANEL JAMB AT TOP & BOTTOM	SULLIVAN
17	2666	AS REQ'D.	WEATHERSTRIP GASKET	EPDM	FRAME JAMB/ASTRAGAL/FRAME PANEL	PROFILATI SpA
18	002/009	AS REQ'D.	WEDGE GASKET	EPDM	PANEL GLAZING PERIM. (INTERIOR)	PROFILATI SpA
19	----	2/EACH	# 10 x 2 1/2" FH.SMS. (ASSEMBLY)	PLATED STEEL	FLUSHBOLT STRIKE PLATE	----
20	----	SEE ELEV.	# 8 x 1 1/2" FH.SMS. (ASSEMBLY)	PLATED STEEL	ASTRAGAL (SINGLE ROW)	----
22	----	2 EA. CORNER	#14 X 3/4" FH. SMS. (PANEL ASS'Y)	PLATED STEEL	PANEL CORNERS	----
23	895/995	CONTINUOUS	STRUCTURAL SILICONE	SILICONE	PERIMETER GLASS TO METAL	PECORA OR DOW CORNING
25	CD.100.BK	AS REQ'D.	FRAME INSERT	ALLUM/NYLON	FRAME PERIMETER (SINGLE ROW)	SULLIVAN
26	SDG.SP.316	AS REQ'D.	STRIKE PLATE	S.S.	ALONGSIDE FRAME (WHERE LOCK MEETS)	SULLIVAN
27	092109	4/VENT	GLAZING BEAD	AL.AL. -6060-T5	PANEL PERIMETER	PROFILATI SpA
28	4293	4/VENT	GLAZING BEAD	AL.AL. -6060-T5	PANEL PERIMETER	PROFILATI SpA
29	2167/2168	2	FLUSH BOLT	ZAMA	INACTIVE PANEL	GSG



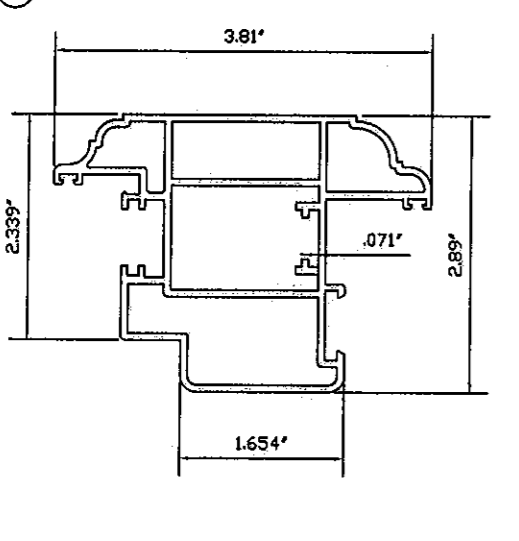
① 7011 - FRAME HEAD-JAMB-SILL WITHOUT FLANGE
 ①A 7012 - FRAME HEAD-JAMB-SILL WITH FLANGE



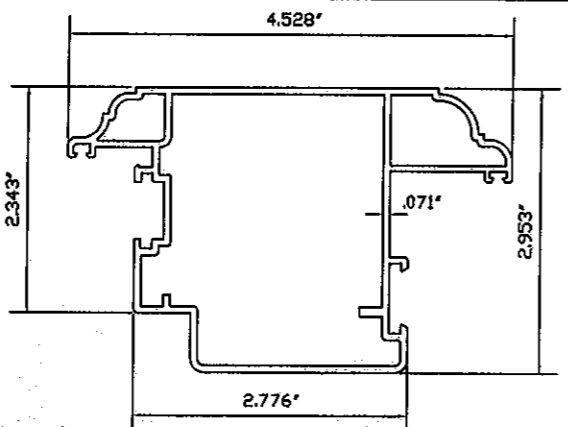
①B 17948 - FRAME HEAD
 ①C 17949 - FRAME HEAD



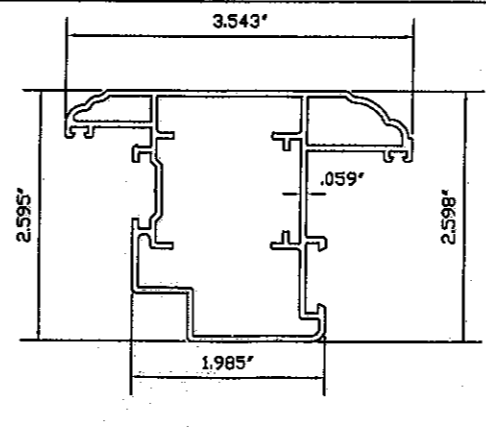
② Z16012 - PANEL HEAD / JAMB / SILL



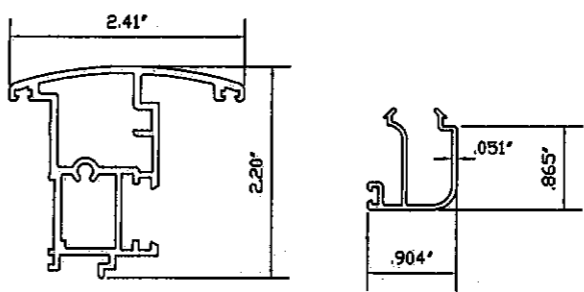
②A Z16013 - PANEL HEAD / JAMB / SILL



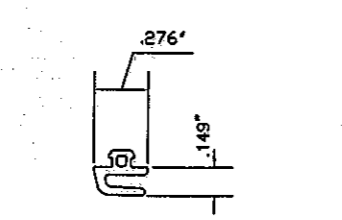
②B Z19678 - PANEL HEAD / JAMB / SILL



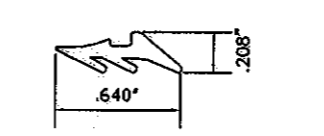
②C Z18853 - PANEL HEAD / JAMB / SILL



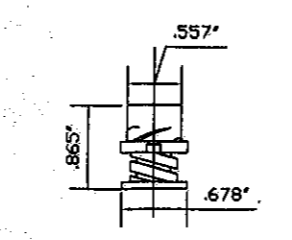
③ Z16014 - ASTRAGAL
 ④ 4195 - GLAZING BEAD



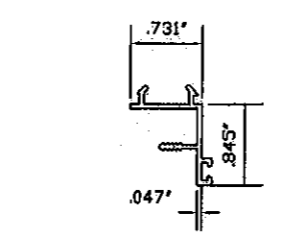
①7 2666 WEATHERSTRIP GASKET



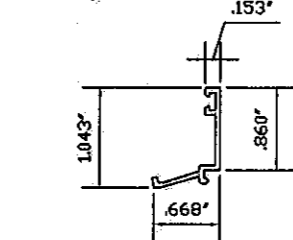
①8 002/009 WEDGE GASKET



②5 CD.100.BK FRAME INSERT



②7 092109 GLAZING BEAD



②8 4293 GLAZING BEAD

NOT USED: ⑤, ⑧, ⑨, ⑪, ⑫, ⑬, ⑭, ⑮, ⑯, ⑰, ⑱, ⑲, ⑳, ㉑, ㉒, ㉓, ㉔, ㉕, ㉖, ㉗, ㉘, ㉙, ㉚, ㉛, ㉜, ㉝, ㉞, ㉟, ㊱, ㊲, ㊳, ㊴, ㊵, ㊶, ㊷, ㊸, ㊹, ㊺, ㊻, ㊼, ㊽, ㊾, ㊿

PRODUCT REVISED as complying with the Florida Building Code
 Acceptance No 12-0503.04
 Expiration Date Feb. 21, 2018
 By *Manuel Lopez*
 Miami Dade Product Control

LA FINESTRA, L.C.
 ITALIAN WINDOWS & DOORS
 2790 Northwest 104th Court
 Miami, FL 33172-2175
 Phone (305) 599-8093
 Fax (305) 592-4671

BROMLEY COOK ENGINEERING INC.
 STRUCTURAL ENGINEERING SERVICES
 5440 N.W. 33RD AVENUE SUITE 100
 MIAMI, FLORIDA 33147
 APR 30 2012
 WILLIAM D. COOK P.E. #45904
 STATE OF FLORIDA

PRODUCT: EKU-53 IMPACT WINDOWS

NO.	DATE	BY	DESCRIPTION
1	4/30/12	EM	CODE UPGRADE

DATE: 03/16/2010
 SCALE: AS NOTED
 DWG. BY: LA FIN
 CHK. BY:
 DRAWING No.: FN-EKU53
 SHEET: 10 OF 10