



**DEPARTMENT OF PERMITTING, ENVIRONMENT, AND REGULATORY AFFAIRS (PERA)  
BOARD AND CODE ADMINISTRATION DIVISION  
NOTICE OF ACCEPTANCE (NOA)**

MIAMI-DADE COUNTY  
PRODUCT CONTROL SECTION  
11805 SW 26 Street, Room 208  
Miami, Florida 33175-2474  
T (786) 315-2590 F (786) 315-2599  
[www.miamidade.gov/pera](http://www.miamidade.gov/pera)

**La Finestra, L.C.  
2790 N.W. 104 Court  
Miami, FL 33172**

**SCOPE:**

This NOA is being issued under the applicable rules and regulations governing the use of construction materials. The documentation submitted has been reviewed and accepted by Miami-Dade County PERA - Product Control Section to be used in Miami Dade County and other areas where allowed by the Authority Having Jurisdiction (AHJ).

This NOA shall not be valid after the expiration date stated below. The Miami-Dade County Product Control Section (In Miami Dade County) and/or the AHJ (in areas other than Miami Dade County) reserve the right to have this product or material tested for quality assurance purposes. If this product or material fails to perform in the accepted manner, the manufacturer will incur the expense of such testing and the AHJ may immediately revoke, modify, or suspend the use of such product or material within their jurisdiction. PERA reserves the right to revoke this acceptance, if it is determined by Miami-Dade County Product Control Section that this product or material fails to meet the requirements of the applicable building code. This product is approved as described herein, and has been designed to comply with the Florida Building Code, including the High Velocity Hurricane Zone.

**DESCRIPTION: Series "EKU-53" Aluminum Fixed Window - L.M.I.**

**APPROVAL DOCUMENT:** Drawing No. LAFINFX3-10, titled "Series EKU-53 Aluminum Fixed Window", sheets 1 through 5 of 5, dated 3/11/10, with revision #1 dated 04/30/12, prepared by Bromley-Cook Engineering, Inc., signed and sealed by William D. Cook, P.E., bearing the Miami-Dade County Product Control Revision stamp with the Notice of Acceptance number and expiration date by the Miami-Dade County Product Control Section.

**MISSILE IMPACT RATING: Large and Small Missile Impact Resistant**

**LABELING:** Each unit shall bear a permanent label with the manufacturer's name or logo, city, state, model/series, and following statement: "Miami-Dade County Product Control Approved", unless otherwise noted herein.

**RENEWAL** of this NOA shall be considered after a renewal application has been filed and there has been no change in the applicable building code negatively affecting the performance of this product.

**TERMINATION** of this NOA will occur after the expiration date or if there has been a revision or change in the materials, use, and/or manufacture of the product or process. Misuse of this NOA as an endorsement of any product, for sales, advertising or any other purposes shall automatically terminate this NOA. Failure to comply with any section of this NOA shall be cause for termination and removal of NOA.

**ADVERTISEMENT:** The NOA number preceded by the words Miami-Dade County, Florida, and followed by the expiration date may be displayed in advertising literature. If any portion of the NOA is displayed, then it shall be done in its entirety.

**INSPECTION:** A copy of this entire NOA shall be provided to the user by the manufacturer or its distributors and shall be available for inspection at the job site at the request of the Building Official.

This NOA **revises and renews** NOA# 10-0706.03 and consists of this page 1 and evidence pages E-1, E-2 and E-3, as well as approval document mentioned above.

The submitted documentation was reviewed by **Manuel Perez, P.E.**



*MP*  
7/18/12

NOA No. 12-0503.03  
Expiration Date: March 06, 2018  
Approval Date: July 19, 2012  
Page 1

**NOTICE OF ACCEPTANCE: EVIDENCE SUBMITTED**

**A. DRAWINGS**

1. Manufacturer's die drawings and sections.
2. Drawing No **LAFINFX3-10**, titled "Series EKU-53 Aluminum Fixed Window", sheets 1 through 5 of 5, dated 03/11/10, with revision #1 dated 04/30/12, prepared by Bromley-Cook Engineering, Inc., signed and sealed by William D. Cook, P.E.

**B. TESTS**

1. Test reports on: 1) Air Infiltration Test, per FBC, TAS 202-94  
2) Uniform Static Air Pressure Test, Loading per FBC TAS 202-94  
3) Water Resistance Test, per FBC, TAS 202-94  
along with marked-up drawings and installation diagram of a series EKU-53 aluminum fixed window, prepared by Hurricane Engineering & Testing, Inc., Test Report No. **HETI-08-2140A**, dated 07/07/08, signed and sealed by Candido F. Font, P.E.  
*(Submitted under previous NOA# 08-0208.01)*
2. Test reports on: 1) Large Missile Impact Test per FBC, TAS 201-94  
2) Cyclic Wind Pressure Loading per FBC, TAS 203-94  
along with marked-up drawings and installation diagram of a series EKU-53 aluminum fixed window, prepared by Hurricane Engineering & Testing, Inc., Test Report No. **HETI-08-2140B**, dated 07/07/08, signed and sealed by Candido F. Font, P.E.  
*(Submitted under previous NOA# 08-0208.01)*
3. Test reports on: 1) Uniform Static Air Pressure Test, Loading per FBC TAS 202-94  
along with marked-up drawings and installation diagram of a series EKU-53 aluminum fixed window, prepared by Hurricane Engineering & Testing, Inc., Test Report No. **HETI-08-2141A**, dated 07/07/08, signed and sealed by Candido F. Font, P.E.  
*(Submitted under previous NOA# 08-0208.01)*
4. Test reports on: 1) Large Missile Impact Test per FBC, TAS 201-94  
2) Cyclic Wind Pressure Loading per FBC, TAS 203-94  
along with marked-up drawings and installation diagram of a series EKU-53 aluminum fixed window, prepared by Hurricane Engineering & Testing, Inc., Test Report No. **HETI-08-2141B**, dated 07/07/08, signed and sealed by Candido F. Font, P.E.  
*(Submitted under previous NOA# 08-0208.01)*
5. Test reports on: 1) Large Missile Impact Test per FBC, TAS 201-94  
2) Cyclic Wind Pressure Loading per FBC, TAS 203-94  
along with marked-up drawings and installation diagram of a series EKU-53 aluminum fixed window, prepared by Hurricane Engineering & Testing, Inc., Test Report No. **HETI-08-2142**, dated 07/07/08, signed and sealed by Candido F. Font, P.E.  
*(Submitted under previous NOA# 08-0208.01)*

  
Manuel Perez, P.E.  
Product Control Examiner  
NOA No. 12-0503.03

Expiration Date: March 06, 2018  
Approval Date: July 19, 2012

NOTICE OF ACCEPTANCE: EVIDENCE SUBMITTED

**B. TESTS (CONTINUED)**

6. Test reports on: 1) Air Infiltration Test, per FBC, TAS 202-94  
2) Uniform Static Air Pressure Test, Loading per FBC TAS 202-94  
3) Water Resistance Test, per FBC, TAS 202-94  
4) Large Missile Impact Test per FBC, TAS 201-94  
5) Cyclic Wind Pressure Loading per FBC, TAS 203-94  
along with marked-up drawings and installation diagram of an aluminum fixed window, prepared by Fenestration Testing Laboratory, Inc., Test Report No. **FTL-3545**, dated 08/13/02, signed and sealed by Joseph Chan, P.E.  
*(Submitted under previous NOA # 02-1018.12)*
7. Test reports on: 1) Large Missile Impact Test per FBC, TAS 201-94  
2) Cyclic Wind Pressure Loading per FBC, TAS 203-94  
along with marked-up drawings and installation diagram of an aluminum fixed window, prepared by Fenestration Testing Laboratory, Inc., Test Report No. **FTL-3546**, dated 08/13/02, signed and sealed by Joseph Chan, P.E.  
*(Submitted under previous NOA # 02-1018.12)*
8. Test reports on: 1) Large Missile Impact Test per FBC, TAS 201-94  
2) Cyclic Wind Pressure Loading per FBC, TAS 203-94  
along with marked-up drawings and installation diagram of an aluminum fixed window, prepared by Fenestration Testing Laboratory, Inc., Test Report No. **FTL-3547**, dated 06/13/02, signed and sealed by Joseph Chan, P.E.  
*(Submitted under previous NOA # 02-1018.12)*

**C. CALCULATIONS**

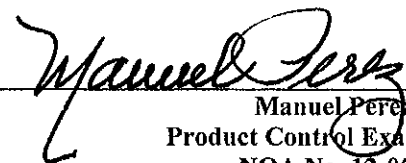
1. Anchor verification calculations and structural analysis, complying with FBC-2007, prepared by Bromley-Cook Engineering, Inc., dated 04/03/08, with the latest revision dated 06/20/10, signed and sealed by William D. Cook, P.E.  
*(Submitted under previous NOA# 10-0706.03)*
2. Glazing complies with ASTM E1300-04

**D. QUALITY ASSURANCE**

1. Miami-Dade Department of Permitting, Environment, and Regulatory Affairs (PERA)

**E. MATERIAL CERTIFICATIONS**

1. Notice of Acceptance No. **11-0624.01** issued to **E.I. DuPont DeNemours & Co., Inc.** for their "**DuPont Butacite® PVB Interlayer**" dated 09/08/11, expiring on 12/11/16.



Manuel Perez, P.E.  
Product Control Examiner  
NOA No. 12-0503.03

Expiration Date: March 06, 2018

Approval Date: July 19, 2012

NOTICE OF ACCEPTANCE: EVIDENCE SUBMITTED

**F. STATEMENTS**

1. Statement letter of conformance, complying with FBC 2010, dated April 30, 2012, signed and sealed by William D. Cook, P.E.
2. Statement letter of no financial interest, dated June 23, 2010, signed and sealed by William D. Cook, P.E.
3. Laboratory compliance letter for Test Report no. **FTL-3545, FTL-3546, and FTL-3547**, issued by Fenestration Testing Laboratory, Inc., dated August 29, 2002, signed and sealed by Joseph Chan, P.E.  
*(Submitted under previous NOA # 02-1018.12)*

**G. OTHER**

1. Notice of Acceptance No. **10-0706.03**, issued to La Finestra, L.C. for their Series "EKU-53" Aluminum Fixed Window – L.M.I., approved on 10/27/10 and expiring on 03/06/13.

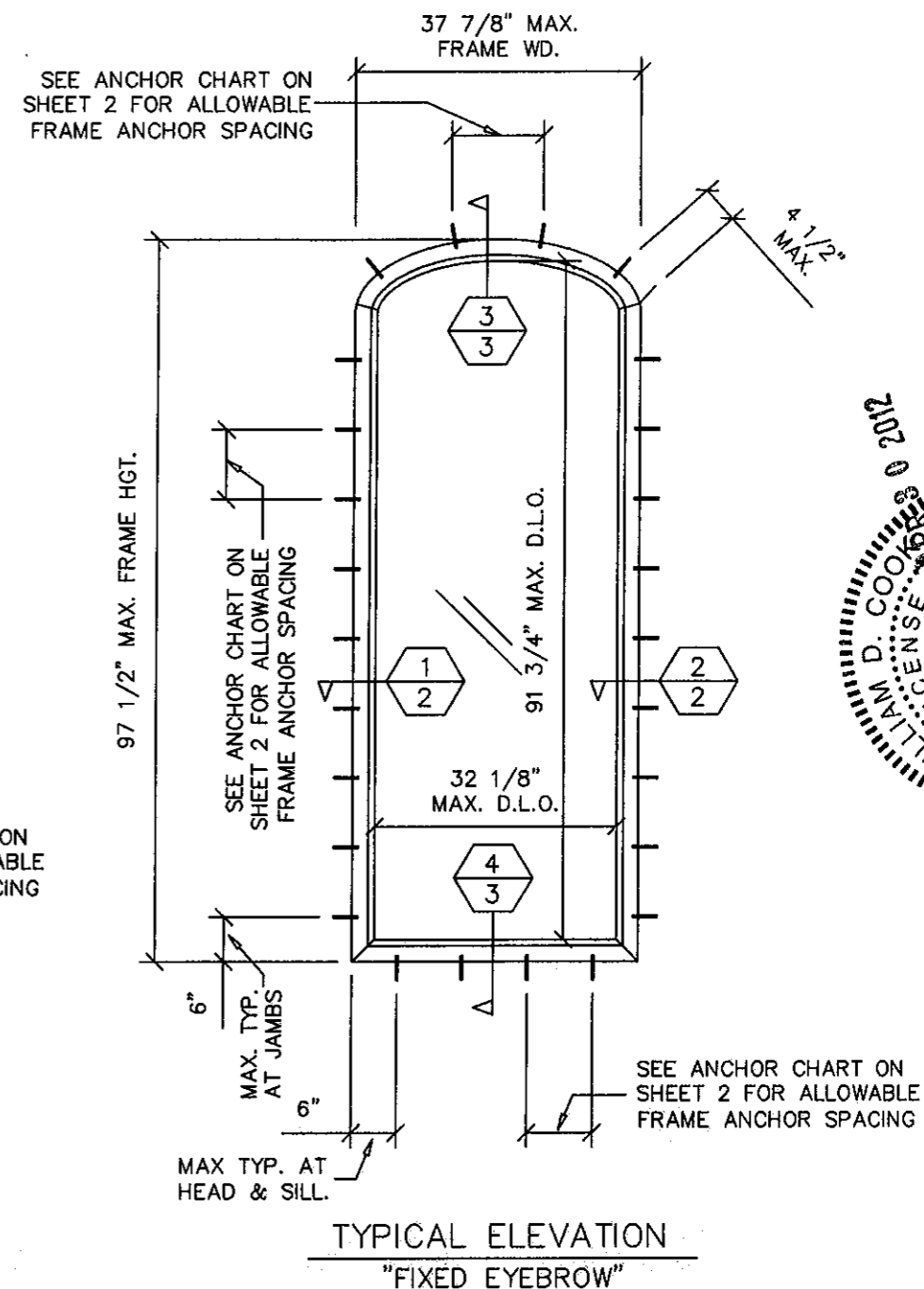
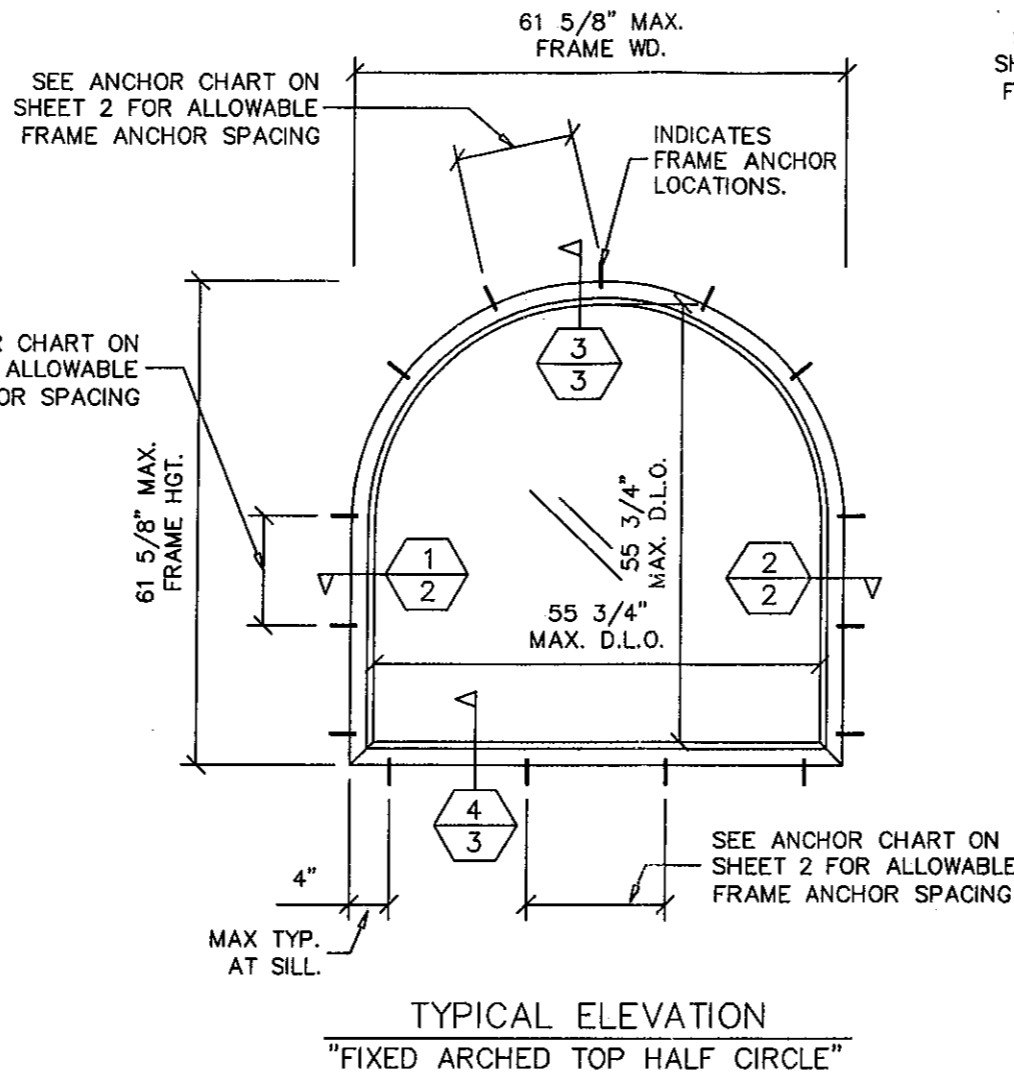
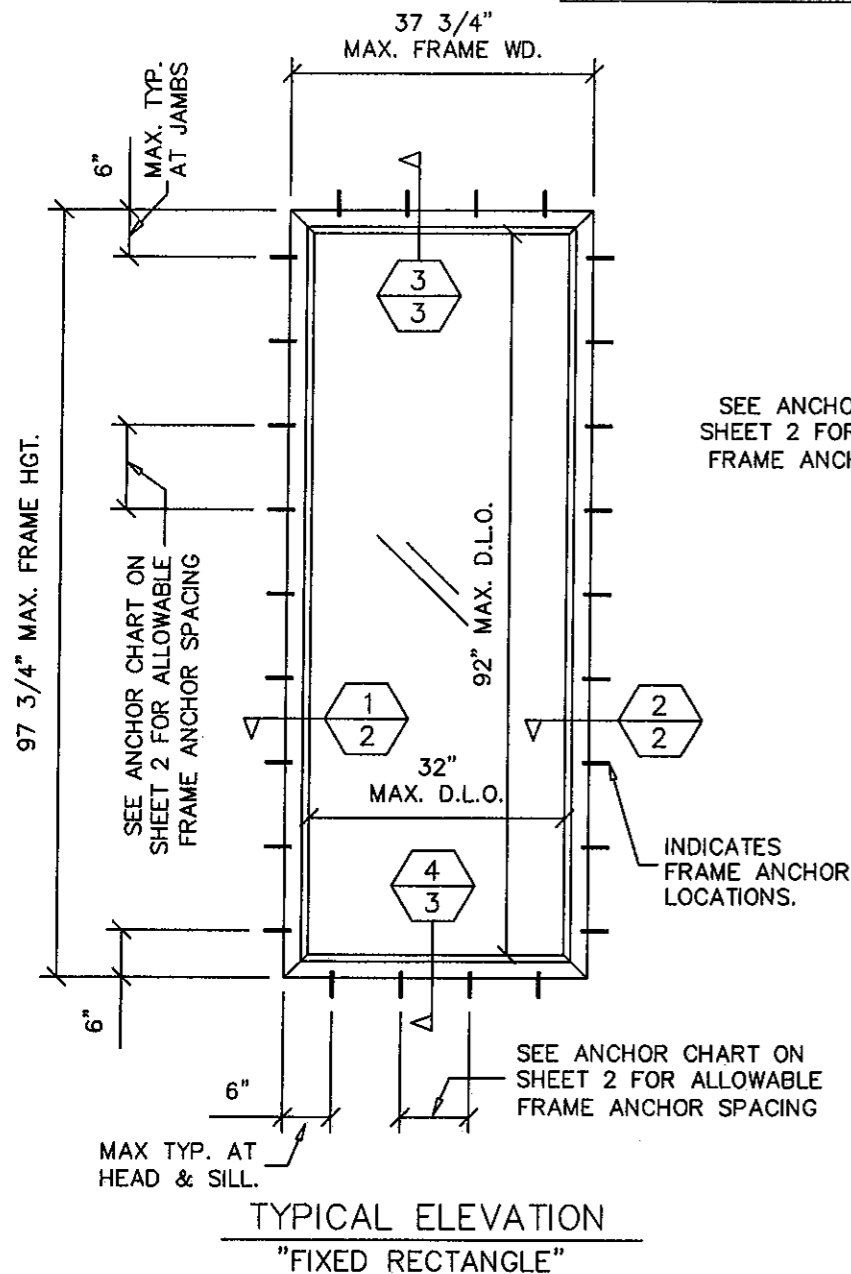


Manuel Perez, P.E.  
Product Control Examiner  
NOA No. 12-0503.03

Expiration Date: March 06, 2018

Approval Date: July 19, 2012

# LA FINESTRA, LC SERIES: EKU 53 FIXED WINDOW L.M.I.



**NOTES:**

1. THIS SYSTEM HAS BEEN DESIGNED TO COMPLY WITH THE REQUIREMENTS OF THE HIGH VELOCITY HURRICANE ZONE (HVHZ) AS DESCRIBED IN THE "2010 FLORIDA BUILDING CODE"
2. THIS WINDOW SYSTEM HAS BEEN TESTED, ENGINEERED AND APPROVED FOR FRAME SIZES AND DESIGN PRESSURES NOT TO EXCEED THOSE SHOWN IN WINDOW SIZE CHART ON SHEET 3.
3. BUCK, OPENINGS & BUCK FASTENERS MUST BE DESIGNED & INSTALLED TO WITHSTAND WIND LOADS FOR EACH APPLICATION. THE DESIGN & ENGINEERING OF BUCKS SHALL BE PROVIDED BY "THE ENGINEER OF RECORD"
4. BUCK FASTENERS MAY NOT EXCEED 16" O.C. SPACING AROUND OPENINGS.
5. THE SYSTEM SHOWN HEREIN WAS TESTED FOR WATER, AIR, IMPACT, CYCLIC & UNIFORM STATIC AIR PRESSURE TESTING IN CONFORMANCE WITH DADE COUNTY PROTOCOLS PA-201, 202 & 203.
6. ONE-THIRD (33%) INCREASE IN ALLOWABLE MATERIAL STRESS LIMITS FOR SHORT DURATION WIND LOAD NOT USED IN THE DESIGN CALCULATIONS.
7. MULTIPLE UNITS (STACKED SIDE BY SIDE OR TOP TO BOTTOM) SHALL REQUIRE SEPERATE MULLION WITH SEPERATE PRODUCT APPROVAL.

OTHER GEOMETRIC FRAME SHAPES MAY BE USED PROVIDED THE SHAPE FITS INSCRIBED INSIDE THE MAXIMUM ALLOWABLE RECTANGULAR AREA INDICATED ON WINDOW SIZE CHART ON PAGE 3.

GLASS SCHEDULE	
GL-1	7/16" (.460") LAMINATED (LARGE MISSILE IMPACT) 3/16" (0.185") HEAT STRENGTHENED .090 INTERLAYER DUPONT BUTACITE (PVB) 3/16" (0.185") HEAT STRENGTHENED

MAX. DESIGN PRESSURES
SEE CHART ON SHEET-3 FOR ALLOWABLE PRESSURES.
WATER INFILTRATION TEST = 12.75 P.S.F.

PRODUCT REVISED as complying with the Florida Building Code  
Acceptance No. 12-0503.03  
Expiration Date March 6, 2018  
By *Manuel Perez*  
Miami Dade Product Control

**LA FINESTRA, I.L.C.**  
ITALIAN WINDOWS & DOORS  
2790 N.W. 104 Court  
Miami, FL 33172  
Phone (305) 599-8093  
Fax (305) 592-4671

WILLIAM D. COOK, P.E. 02012  
PROFESSIONAL ENGINEER  
BROOKLYN, N.Y. 11201  
BROOKLYN, N.Y. ENGINEERING, INC.  
STRUCTURAL ENGINEERING SERVICES  
5440 N.W. 33RD AVENUE SUITE 300  
FORT LAUDERDALE, FL 33404  
PROFESSIONAL ENGINEER  
FLORIDA LICENSE NO. 3904

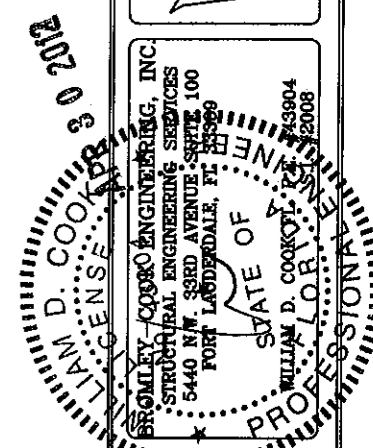
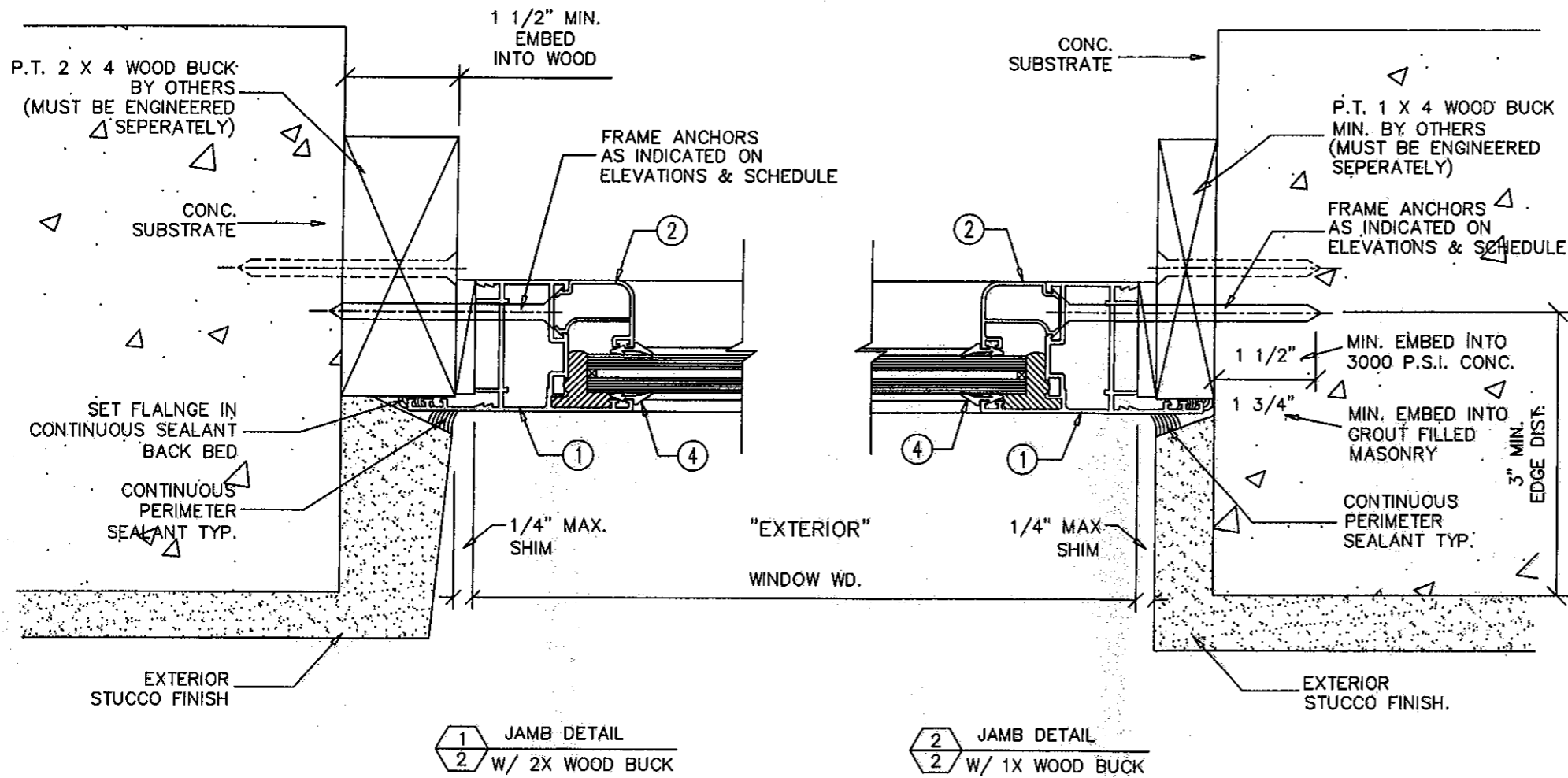
PRODUCT: SERIES EKU-53 ALUMINUM FIXED WINDOW

NO.	DATE	BY	DESCRIPTION
1	4/30/12	BM	CODE UPGRADE

DATE: 3/11/10  
SCALE: AS NOTED  
DWG. BY: R.P.  
CHK. BY:  
DRAWING No.: LAFINFX3-10  
SHEET 1 OF 5

## ANCHOR SCHEDULE

ANCHOR TYPE	SUBSTRATE/EMBED	WINDOW WIDTH	MAXIMUM ALLOWABLE ANCHOR SPACING HEAD & SILL	MAXIMUM ALLOWABLE ANCHOR SPACING JAMBS
1/4" DIA. X REQ'D. LENGTH F.H. TAPCON OR EQUAL	CONCRETE (2000 PSI MIN.) EMBED: 1 1/2" INTO CONC. MIN.  CBS (GROUT FILLED) EMBED: 1 3/4" INTO CBS. MIN.	UP TO 54"	4" MIN. TO 6" MAX. FROM ENDS BALANCE @ 10" C/C MAX.	4" MIN. TO 6" MAX. FROM ENDS BALANCE @ 14" C/C MAX.
#14 X REQ'D. LENGTH F.H.S.M.S. OR SELF-DRILLING	METAL STRUCTURES STEEL A36 MIN. OR 1/8" MIN. THICK ALUM.	UP TO 54"	4" MIN. TO 6" MAX. FROM ENDS BALANCE @ 10" C/C MAX.	4" MIN. TO 6" MAX. FROM ENDS BALANCE @ 10" C/C MAX.
		UP TO 42"	4" MIN. TO 6" MAX. FROM ENDS BALANCE @ 10" C/C MAX.	4" MIN. TO 6" MAX. FROM ENDS BALANCE @ 10" C/C MAX.
#14 X 3" F.H.S.M.S.	MIN. 2 X 4 NO.2 S.Y.P. EMBED: 1 1/2" INTO WOOD MIN.	UP TO 36"	4" MIN. TO 6" MAX. FROM ENDS BALANCE @ 10" C/C MAX.	4" MIN. TO 6" MAX. FROM ENDS BALANCE @ 10" C/C MAX.



**L.A. FINESTRA, I.L.C.**  
**ITALIAN WINDOWS & DOORS**  
 2790 N.W. 104 Court  
 Miami, FL 33172  
 Phone (305) 599-8093  
 Fax (305) 592-4671

**WILLIAM D. COOK, P.E.**  
 LICENSE NO. 12008  
 STATE OF FLORIDA  
 PROFESSIONAL ENGINEER

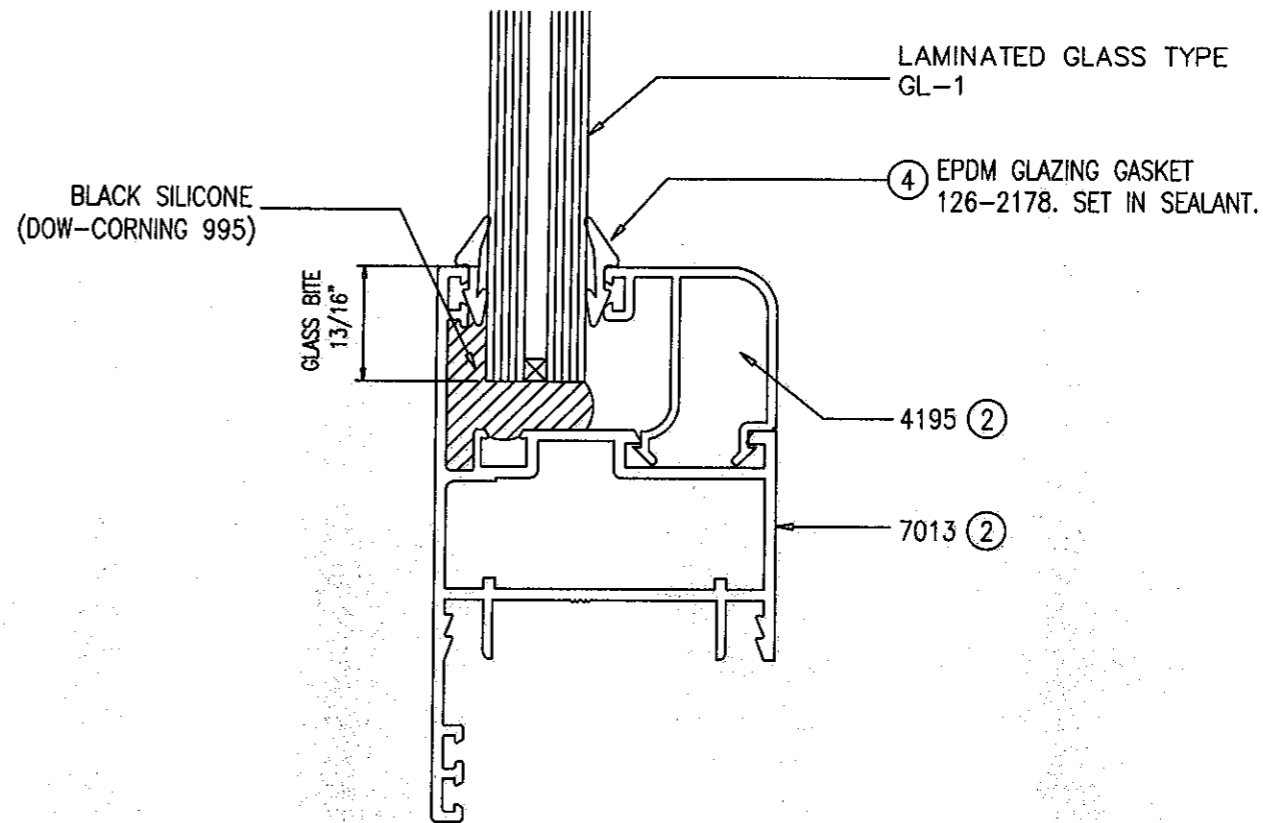
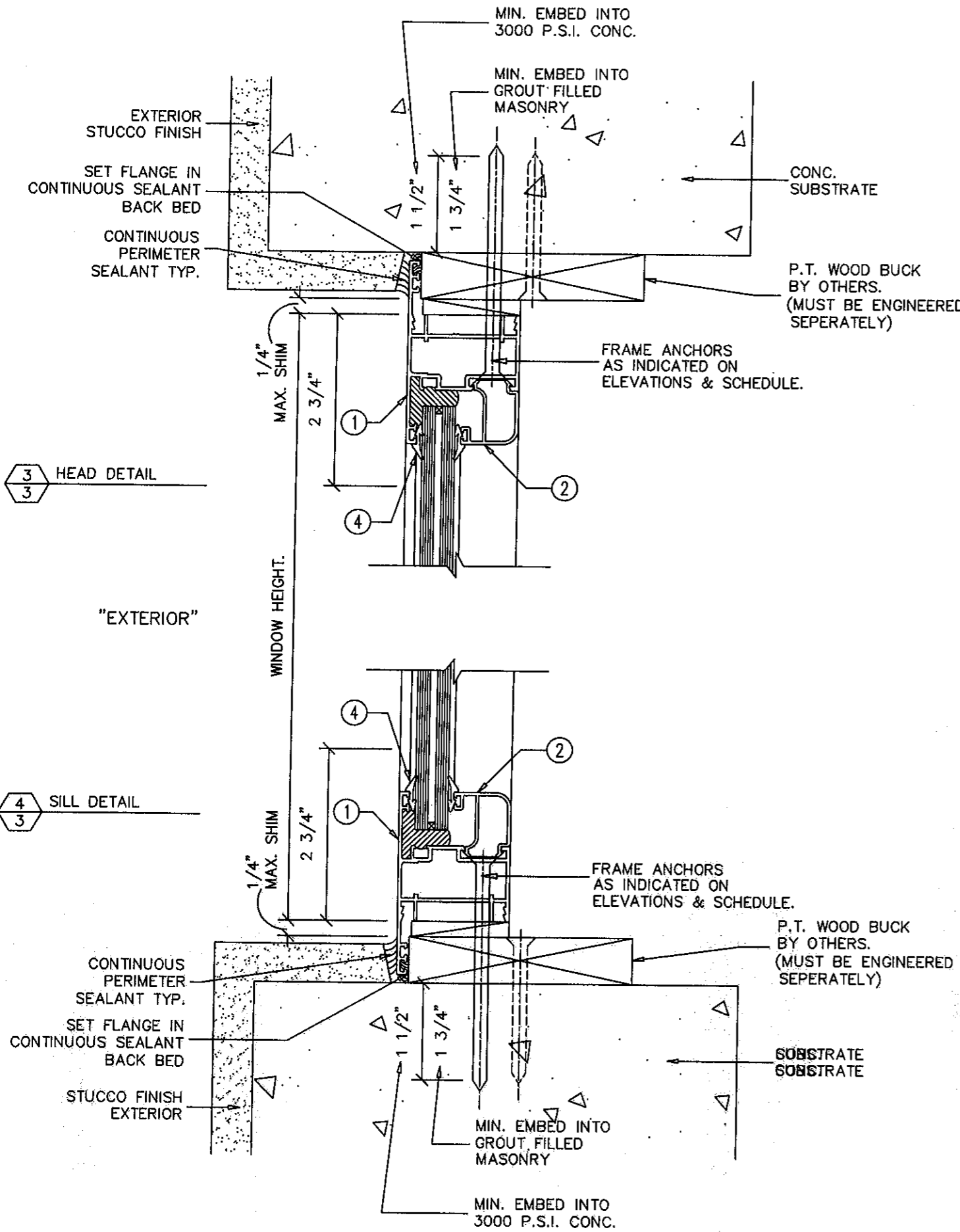
PRODUCT:  
**SERIES EKV-53**  
**ALUMINUM FIXED WINDOW**

REVISIONS	NO.	DATE	BY	DESCRIPTION

DATE: 3/11/10  
 SCALE: AS NOTED  
 DWG. BY: R.P.  
 CHK. BY:

PRODUCT REVISED  
 as complying with the Florida  
 Building Code  
 Acceptance No. 12-0503.03  
 Expiration Date March 6, 2018  
 By *Manuel Cruz*  
 Miami Dade Product Control

DRAWING No.:  
**LAFINFX3-10**  
 SHEET 2 OF 5



G1 TYPICAL GLAZING DETAIL  
"FULL SIZE"

PRODUCT REVISED  
as complying with the Florida  
Building Code  
Acceptance No 12-0503-03  
Expiration Date March 6, 2018  
By *Maurice Perez*  
Miami Dade Product Control

**LA FINESTRA, I.L.C.**  
ITALIAN WINDOWS & DOORS  
2790 N.W. 104 Court  
Miami, FL 33172  
Phone (305) 599-8093  
Fax (305) 592-4671

WILLIAM D. COOK, P.E. 2012  
LICENSE NO. 43904  
BROMLEY-COOK ENGINEERING, INC.  
STRUCTURAL ENGINEERING SERVICES  
6440 N.W. 33RD AVENUE SUITE 110  
FORT LAUDERDALE, FL 33309  
STATE OF FLORIDA  
PROFESSIONAL ENGINEER  
No. 43904  
Exp. 12/31/2008

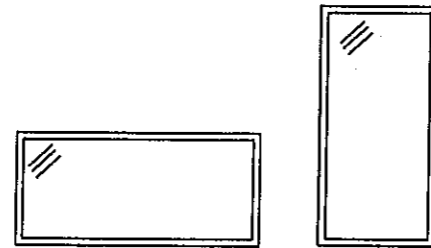
PRODUCT:  
SERIES EKU-53  
ALUMINUM FIXED  
WINDOW

REVISIONS	
NO.	DESCRIPTION

DATE: 3/11/10  
SCALE: AS NOTED  
DWG. BY: R.P.  
CHK. BY:

DRAWING No.:  
LAFINFX3-10  
SHEET 3 OF 5

WINDOW SIZE CHART			
ALLOWABLE DESIGN LOADS (PSF)			
MODULAR WINDOW FRAME SIZE		GLASS TYPE GL-1	
WIDTH	HEIGHT	EXT(+)	EXT(-)
24"	61 5/8"	85	95
30"			
36"			
42"			
48"			
54"			
61 5/8"			
24"	66"		
30"			
36"			
42"			
48"			
54"			
57"			
24"	72"		
30"			
36"			
42"			
48"			
52"			
24"	78"		
30"			
36"			
42"			
48"			
24"	84"		
30"			
36"			
42"			
43 1/2"			
24"	90"		
30"			
36"			
42"			
24"	97 3/4"		
30"			
36"			
37 3/4"			

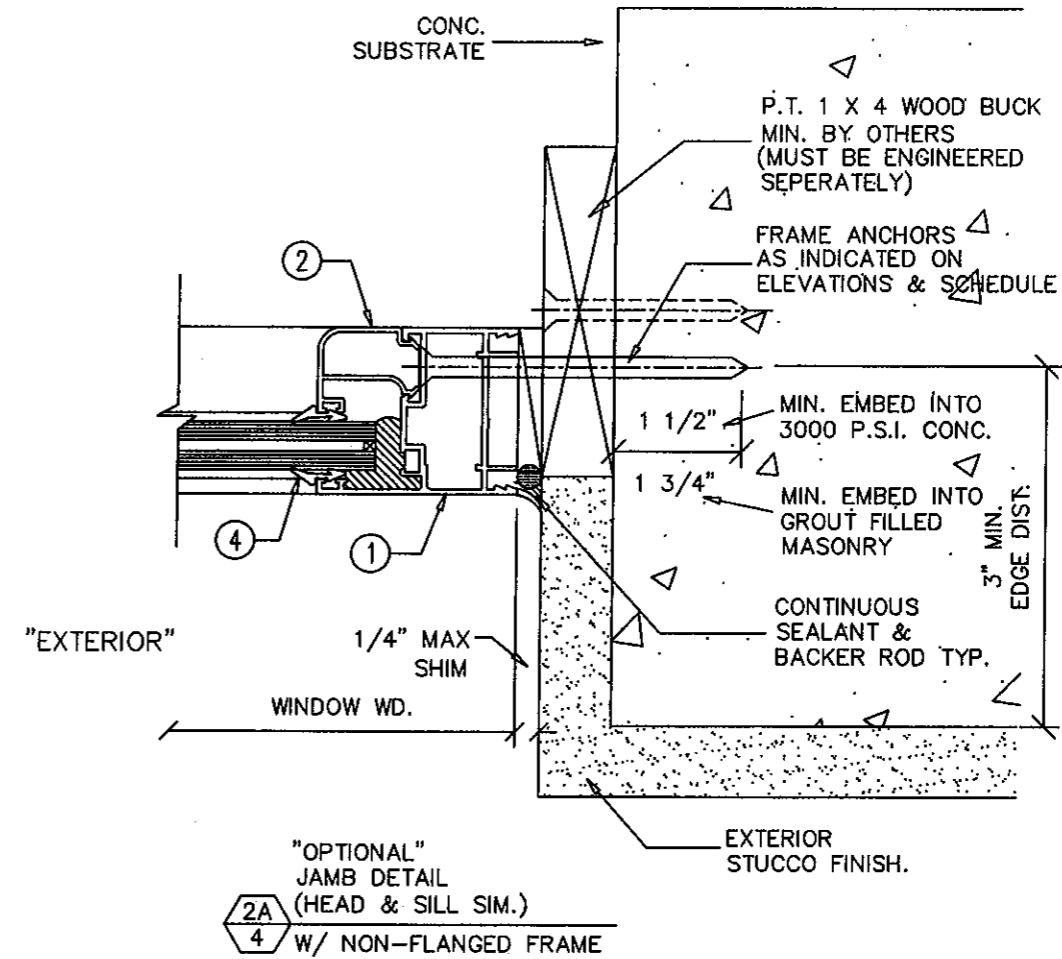


NOTE:  
WINDOWS MAY BE ORIENTED HORIZONTALLY  
OR VERTICALLY.

(TESTED ASSEMBLY = 37 3/4" X 97 3/4" @ +85/-95 PSF)  
(RECTANGULAR SHAPE)

(TESTED ASSEMBLY = 37 7/8" X 97 1/2" @ +85/-95 PSF)  
(RECTANGULAR SHAPE W/ EYEBROW TOP)

(TESTED ASSEMBLY = 61 5/8" X 61 5/8" @ +85/-95 PSF)  
(1/2 CIRCLE ARCHED TOP)



WILLIAM D. COOK ENGINEERING, INC.  
LICENSE # 43904  
APR 0 2012

BROMLEY - COOK ENGINEERING, INC.  
STRUCTURAL ENGINEERING SERVICES  
2440 N.W. 33RD AVENUE, SUITE 200  
FORT LAUDERDALE, FL 33309  
WILLIAM D. COOK, P.E., F.S.E.  
STONATA, FL 33308

PRODUCT:  
SERIES EKU-53  
ALUMINUM FIXED  
WINDOW

REVISIONS	DATE	BY	DESCRIPTION
No.			

DATE: 3/11/10  
SCALE: AS NOTED  
DWG. BY: R.P.  
CHK. BY:

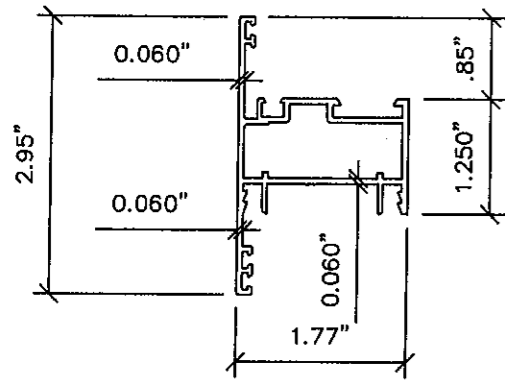
PRODUCT REVISED  
as complying with the Florida  
Building Code  
Acceptance No. 12-0503.03  
Expiration Date March 6, 2018  
By *Manuel Diaz*  
Miami Dade Product Control

DRAWING No.:  
LAFINFX3-10  
SHEET 4 OF 5

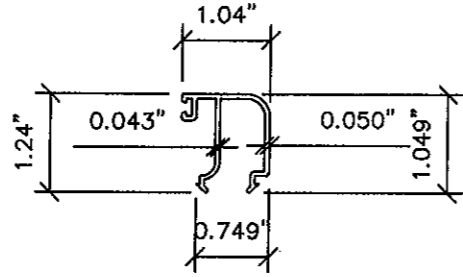
LA FINESTRA, L.C.  
ITALIAN WINDOWS & DOORS  
2790 N.W. 104 Court  
Miami, FL 33172  
Phone (305) 599-8093  
Fax (305) 592-4671



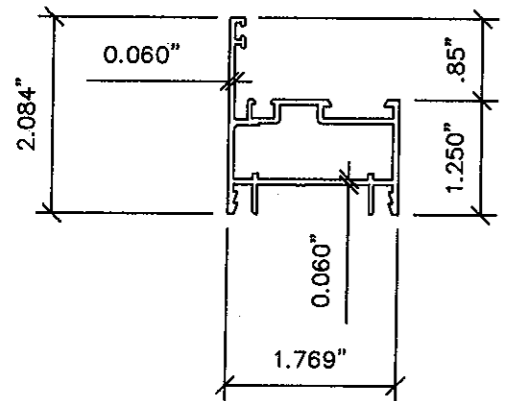
7013 - FRAME (FLANGED) ①



4195- GLAZING BEAD ②



7014 - FRAME (NON-FLANGED) ①A

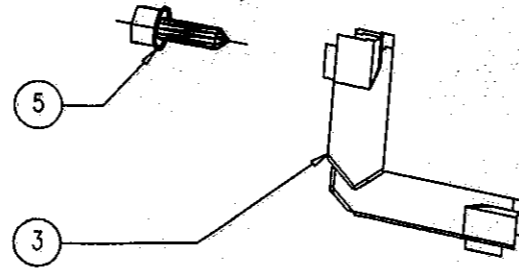
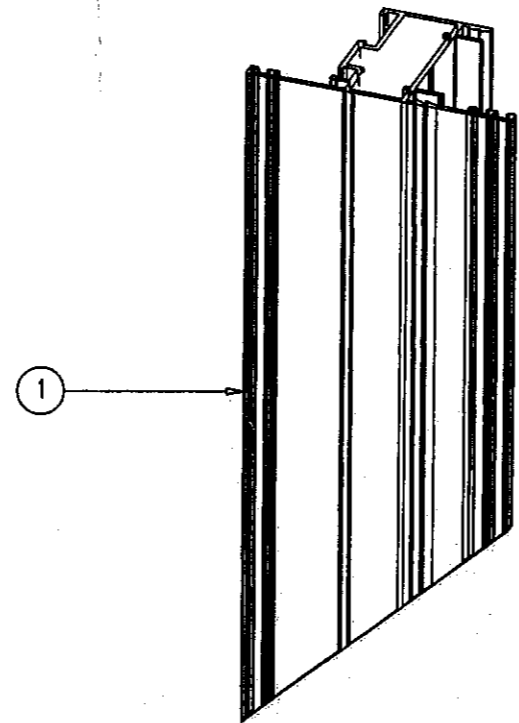


MATERIAL LIST

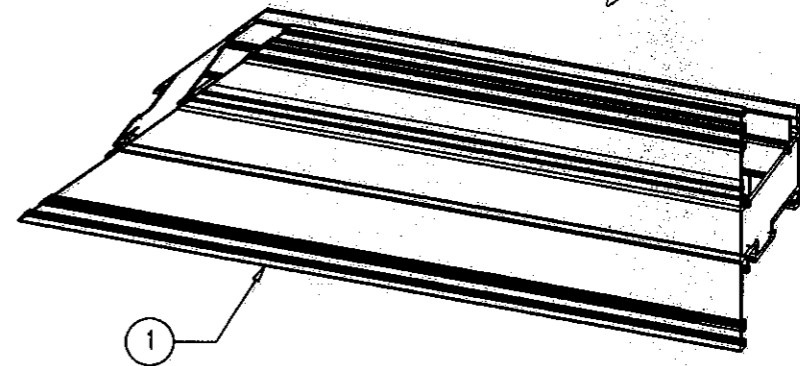
KEY	PART NUMBER	DESCRIPTION	MATERIAL	MANF./SUPPLIER/REMARKS
①	7013	FRAME HEAD/SILL/JAMB (W/ FLANGE)	EN AW-6060 - T5	PROFILATI SpA
①A	7014	FRAME HEAD/SILL/JAMB (W/O FLANGE) OPTIONAL	EN AW-6060 - T5	PROFILATI SpA
②	4195	GLAZING BEAD	EN AW-6060 - T5	PROFILATI SpA
③	0409	FRAME CORNER KEY	CAST ALUMINUM	MONICELLI
④	126-2178	CONTINUOUS EPDM WEDGE GASKET	EPDM	
⑤	SC-1	#14 HEX HEAD S.M.S.	CAD-PLATED STEEL	

SEALANTS

- GLAZING BEAD AT FRAME SILL SEALED TO GLASS WITH DOW CORNING 995 OR PECORA 895  
 FRAME CORNERS SEALED WITH DOW CORNING 999

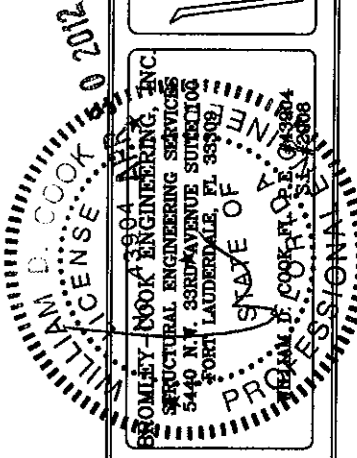
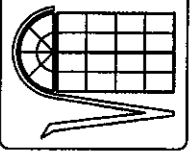


A  
5 FRAME CORNER JOINT



PRODUCT REVISED  
 as complying with the Florida  
 Building Code  
 Acceptance No 12-0503.03  
 Expiration Date March 6, 2018  
 By *Maurice Perry*  
 Miami/Dade Product Control

**LA FINESTRA, L.C.**  
 ITALIAN WINDOWS & DOORS  
 2790 N.W. 104 Court  
 Miami, FL 33172  
 Phone (305) 599-8093  
 Fax (305) 592-4671



PRODUCT:  
 SERIES EKU-53  
 ALUMINUM FIXED  
 WINDOW

REVISIONS	NO.	DATE	BY	DESCRIPTION

DATE: 3/11/10  
 SCALE: AS NOTED  
 DWG. BY: R.P.  
 CHK. BY:

DRAWING No.:  
 LAFINFX3-10  
 SHEET 5 OF 5