



**DEPARTMENT OF PERMITTING, ENVIRONMENT, AND REGULATORY AFFAIRS (PERA)
BOARD AND CODE ADMINISTRATION DIVISION
NOTICE OF ACCEPTANCE (NOA)**

MIAMI-DADE COUNTY, FLORIDA
PRODUCT CONTROL SECTION
11805 SW 26 Street, Room 208
Miami, Florida 33175-2474
T (786) 315-2590 F (786) 315-2599
www.miamidade.gov/pera/

**La Finestra, LC
2790 N.W. 104 Court
Miami, FL 33172**

SCOPE:

This NOA is being issued under the applicable rules and regulations governing the use of construction materials. The documentation submitted has been reviewed and accepted by Miami-Dade County PERA-Product Control Section to be used in Miami-Dade County and other areas where allowed by the Authority Having Jurisdiction (AHJ).

This NOA shall not be valid after the expiration date stated below. The Miami-Dade County Product Control Section (In Miami-Dade County) and/or the AHJ (in areas other than Miami-Dade County) reserve the right to have this product or material tested for quality assurance purposes. If this product or material fails to perform in the accepted manner, the manufacturer will incur the expense of such testing and the AHJ may immediately revoke, modify, or suspend the use of such product or material within their jurisdiction. PERA reserves the right to revoke this acceptance, if it is determined by Miami-Dade County Product Control Section that this product or material fails to meet the requirements of the applicable building code.

This product is approved as described herein, and has been designed to comply with the Florida Building Code, including the High Velocity Hurricane Zone.

DESCRIPTION: Series "EKU-53" Outswing Aluminum French Door - L.M.I.

APPROVAL DOCUMENT: Drawing No. **FIN-EKU53**, titled "EKU-53 Impact Doors High Load", sheets 1 through 10 of 10, dated 03/16/10, with revision 1 on 04/30/12, prepared by Bromley-Cook Engineering, Inc., signed and sealed by William D. Cook, P. E., bearing the Miami-Dade County Product Control Revision stamp with the Notice of Acceptance number and Expiration date by the Miami-Dade County Product Control Section.

MISSILE IMPACT RATING: Large and Small Missile Impact Resistant.

LABELING: Each unit shall bear a permanent label with the manufacturer's name or logo, city, state, series and following statement: "Miami-Dade County Product Control Approved" unless otherwise noted herein.

RENEWAL of this NOA shall be considered after a renewal application has been filed and there has been no change in the applicable building code negatively affecting the performance of this product.

TERMINATION of this NOA will occur after the expiration date or if there has been a revision or change in the materials, use, and/ or manufacture of the product or process. Misuse of this NOA as an endorsement of any product, for sales, advertising or any other purposes shall automatically terminate this NOA. Failure to comply with any section of this NOA shall be cause for termination and removal of NOA.

ADVERTISEMENT: The NOA number preceded by the words Miami-Dade County, Florida, and followed by the expiration date may be displayed in advertising literature. If any portion of the NOA is displayed, then it shall be done in its entirety.

INSPECTION: A copy of this entire NOA shall be provided to the user by the manufacturer or its distributors and shall be available for inspection at the job site at the request of the Building Official.

This NOA revises and renews NOA No. 10-0511.03 and consists of this page 1, evidence pages E-1 and E-2, as well as approval document mentioned above.

The submitted documentation was reviewed by **Jaime D. Gascon, P. E.**



*J. Gascon
7/26/12*

NOA No. 12-0503.05
Expiration Date: February 27, 2018
Approval Date: July 26, 2012
Page 1

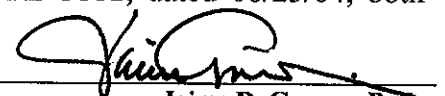
NOTICE OF ACCEPTANCE: EVIDENCE SUBMITTED

A. DRAWINGS

1. Manufacturer's die drawings and sections.
(Submitted under previous NOA's No.08-1126.02)
2. Drawing No. **FIN-EKU53**, titled "EKU-53 Impact Doors High Load", sheets 1 through 10 of 10, dated 03/16/10, with revision 1 on 04/30/12, prepared by Bromley-Cook Engineering, Inc., signed and sealed by William D. Cook, P. E.

B. TESTS

1. Test reports on
 - 1) Air Infiltration Test, per FBC, TAS 202-94
 - 2) Uniform Static Air Pressure Test, Loading per FBC, TAS 202-94
 - 3) Water Resistance Test, per FBC, TAS 202-94
 - 4) Forced Entry Test, per FBC 2411 3.2.1 and TAS 202-94
 - 5) Large Missile impact Test per FBC, TAS 201-94
 - 6) Cyclic Wind Pressure Loading per FBC, TAS 203-94Along with marked-up drawings and installation diagram of aluminum outswing French Door, prepared by Hurricane Engineering & Testing Lab., Test Report No. **HETI-09-2676, HETI-09-2677, HETI-10-3002, HETI-10-3003, HETI-10-3009** and **HETI-10-3010**, all dated 04/06/2010, all signed and sealed by Candido Font, P. E.
(Submitted under previous NOA No. 08-1126.02)
2. Additional Test reports on (transferred from file # **08-1126.02**)
 - 1) Air Infiltration Test, per FBC, TAS 202-94
 - 2) Uniform Static Air Pressure Test, Loading per FBC, TAS 202-94
 - 3) Water Resistance Test, per FBC, TAS 202-94
 - 4) Forced Entry Test, per FBC 2411 3.2.1 and TAS 202-94
 - 5) Large Missile impact Test per FBC, TAS 201-94
 - 6) Cyclic Wind Pressure Loading per FBC, TAS 203-94Along with marked-up drawings and installation diagram of aluminum outswing French Door, prepared by Hurricane Engineering & Testing Lab., Test Report No. **HETI-08-2076A & B, HETI-08-2163, HETI-08-2020** and **HETI-08-2005**, all dated 10/31/2008, all signed and sealed by Candido Font, P. E.
3. Additional Test reports on (transferred from file # **08-1126.02**)
 - 1) Air Infiltration Test, per FBC, TAS 202-94
 - 2) Uniform Static Air Pressure Test, Loading per FBC, TAS 202-94
 - 3) Water Resistance Test, per FBC, TAS 202-94
 - 4) Forced Entry Test, per FBC 2411 3.2.1 and TAS 202-94
 - 5) Large Missile impact Test per FBC, TAS 201-94
 - 6) Cyclic Wind Pressure Loading per FBC, TAS 203-94along with marked-up drawings and installation diagram of Aluminum Outswing French Door, prepared by Fenestration Testing Laboratory, Inc., Test Report No. **FTL-4531**, dated 06/01/05 and Test Report No. **FTL-3881**, dated 08/23/04, both signed and sealed by Edmundo Largaespada, P. E.


Jaime D. Gascon, P. E.

Product Control Section Supervisor
NOA No. 12-0503.05
Expiration Date: February 27, 2018
Approval Date: July 26, 2012

NOTICE OF ACCEPTANCE: EVIDENCE SUBMITTED

C. CALCULATIONS

1. Anchor verification calculations complying w/ FBC-2007, dated 04-27-10 and last revised on 08/18/10, prepared by Bromley-Cook Engineering, Inc, signed and sealed by William D. Cook, P. E., P.E.
2. Glazing complies with ASTM E-1300-02 &-04

D. QUALITY ASSURANCE

1. Miami-Dade Department of Permitting, Environment, and Regulatory Affairs (PERA).

E. MATERIAL CERTIFICATIONS

1. Notice of Acceptance No. **11-0624.01** issued to E.I. DuPont DeNemours & Co., Inc. for their "**DuPont Butacite® PVB Interlayer**" dated 09/08/2011, expiring on 12/11/2016.

F. STATEMENTS

1. Statement letter of conformance and compliance with the **FBC-2010**, dated 04/30/12, signed and sealed by William D. Cook, P. E.

G. OTHERS

1. Notice of Acceptance No. **10-0511.03**, issued to La Finestra, LC for their Series "**EKU-53**" **Outswing Aluminum French Door - L.M.I.**", approved on 09/15/10 and expiring on 02/27/13.



Jaime D. Gascon, P. E.
Product Control Section Supervisor
NOA No. 12-0503.05
Expiration Date: February 27, 2018
Approval Date: July 26, 2012

LA FINESTRA, LC

SERIES: EKU 53 OUTSWING FRENCH DOOR (HIGH LOAD)

GLASS CHART		
GLASS TYPE	MAXIMUM D.L.O.	MAX DESIGN LOAD
GL-1	30" W x 87" H	+110.0/-110.0 PSF
	27" W x 110" H	+80.0/-80.0 PSF
GL-2	27" W x 110" H	+80.0/-80.0 PSF

GLASS SCHEDULE LARGE MISSILE IMPACT RESISTANT	
GL-1	= 7/16" (.454") LAMINATED 3/16" (.182") HS -.090" P.V.B. INTERLAYER (DUPONT BUTACITE) - 3/16" HEAT STRENGTHENED
GL-2	= 1-1/4" INSULATED 3/16" (.182") HS -.090" P.V.B. 3/16" HS 1/2" AIR GAP 3/16" TEMPERED

MAX PANEL WIDTH
 DLO + 9" FOR DIE # 16012 (#2)
 DLO + 7.62" FOR DIE # 16013 (#2A)

MAX PANEL HEIGHT
 DLO + 9" FOR DIE # 16012 (#2)
 DLO + 7.62" FOR DIE # 16013 (#2A)

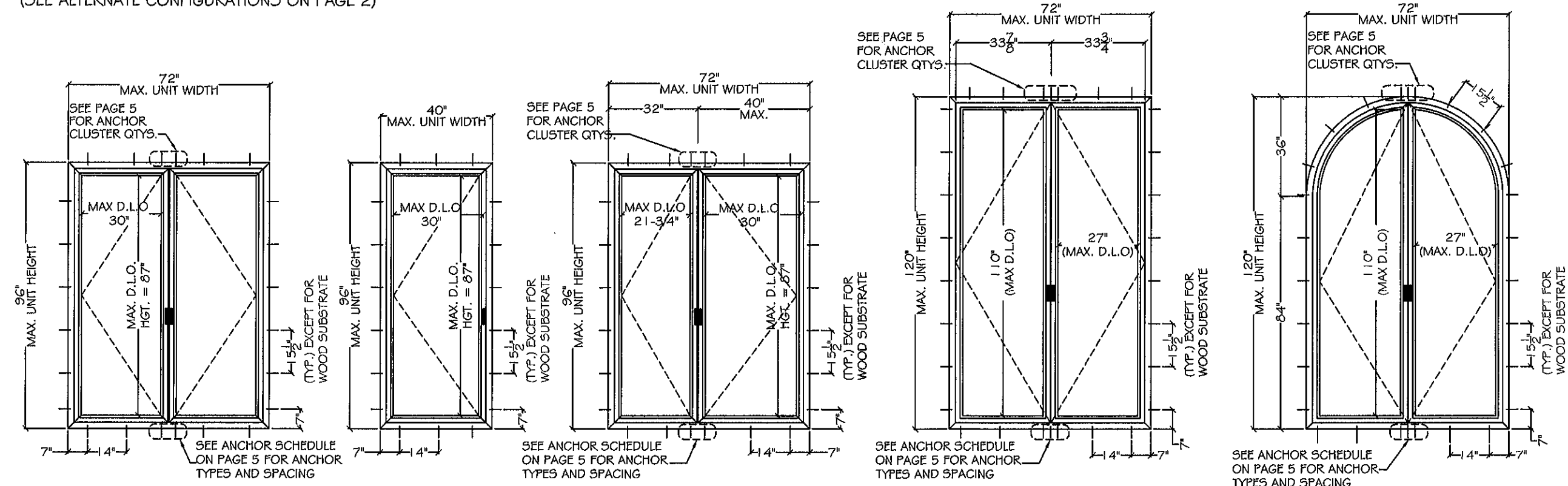
WATER INFILTRATION TEST PRESSURE
 - DOORS UP TO 96" TALL: 16.5 PSF
 - DOORS UP TO 120" TALL: 12 PSF
 WITH STANDRADD THRESHOLD

NOTE: ADA COMPLIANT THRESHOLD NOT APPROVED FOR WATER FILTRATION

TYPICAL CONFIGURATIONS

MAX. DOOR SIZES SHOWN

MULTIPLE UNITS STACKED SIDE BY SIDE
 MUST HAVE APPROVED MULLIONS BETWEEN EACH DOOR FRAME
 *(SEE ALTERNATE CONFIGURATIONS ON PAGE 2)

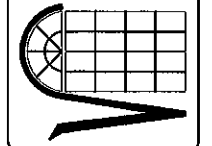


NOTES:

1. THIS SYSTEM HAS BEEN DESIGNED TO COMPLY WITH THE REQUIREMENTS OF THE HIGH VELOCITY HURRICANE ZONE AS DESCRIBED IN THE "2010 FLORIDA BUILDING CODE"
2. THIS WINDOW SYSTEM HAS BEEN TESTED, ENGINEERED AND APPROVED FOR DESIGN PRESSURES NOT TO EXCEED THOSE SHOWN IN SCHEDULE.
3. BUCK, OPENINGS & BUCK FASTENERS MUST BE DESIGNED & INSTALLED TO WITHSTAND WIND LOADS FOR EACH APPLICATION. THE DESIGN & ENGINEERING OF BUCKS SHALL BE PROVIDED BY "THE ENGINEER OF RECORD"
4. BUCK FASTENERS MAY NOT EXCEED 16" O.C. SPACING AROUND OPENINGS.
5. THE SYSTEM SHOWN HEREIN WAS TESTED FOR WATER, AIR, IMPACT, CYCLIC & UNIFORM STATIC AIR PRESSURE TESTING IN CONFORMANCE WITH DADE COUNTY PROTOCOLS TA5-201, 202 & 203.
6. ONE-THIRD INCREASE IN ALLOWABLE MATERIAL STRESS LIMITS FOR SHORT DURATION WIND LOAD NOT USED IN THE DESIGN CALCULATIONS, EXCEPT FOR (1.6) WIND LOAD FACTOR FOR WOOD.

PRODUCT REVISED
 as complying with the Florida
 Building Code
 Acceptance No. 12-050305
 Expiration Date 2/27/2018
 Miami Dade Product Control

LA FINESTRA, L.C.
 ITALIAN WINDOWS & DOORS
 2790 N.W. 104 COURT
 Miami, FL 33172
 Phone (305) 599-8093
 Fax (305) 592-4671



BROMBERG ENGINEERING, INC.
 STRUCTURAL ENGINEERING SERVICES
 5240 N.W. 38RD AVENUE SUITE 100
 FORT LAUDERDALE, FL 33304
 No. APR 30 2012
 WILLIAM D. COOK FL. P.E. #43904
 STATE OF FLORIDA
 PROFESSIONAL ENGINEER

PRODUCT:
EKU-53
IMPACT DOORS
HIGH LOAD

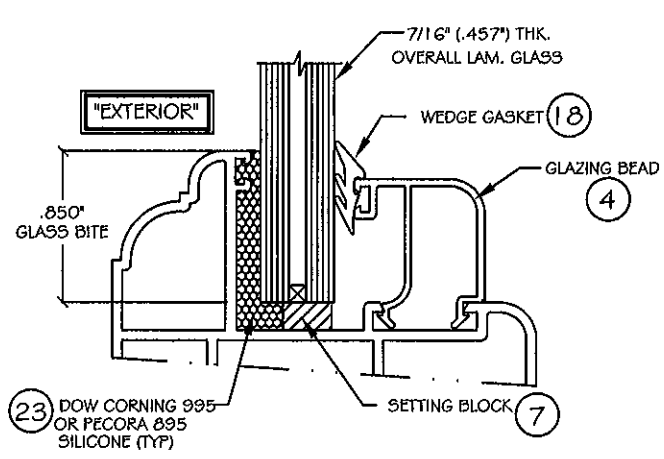
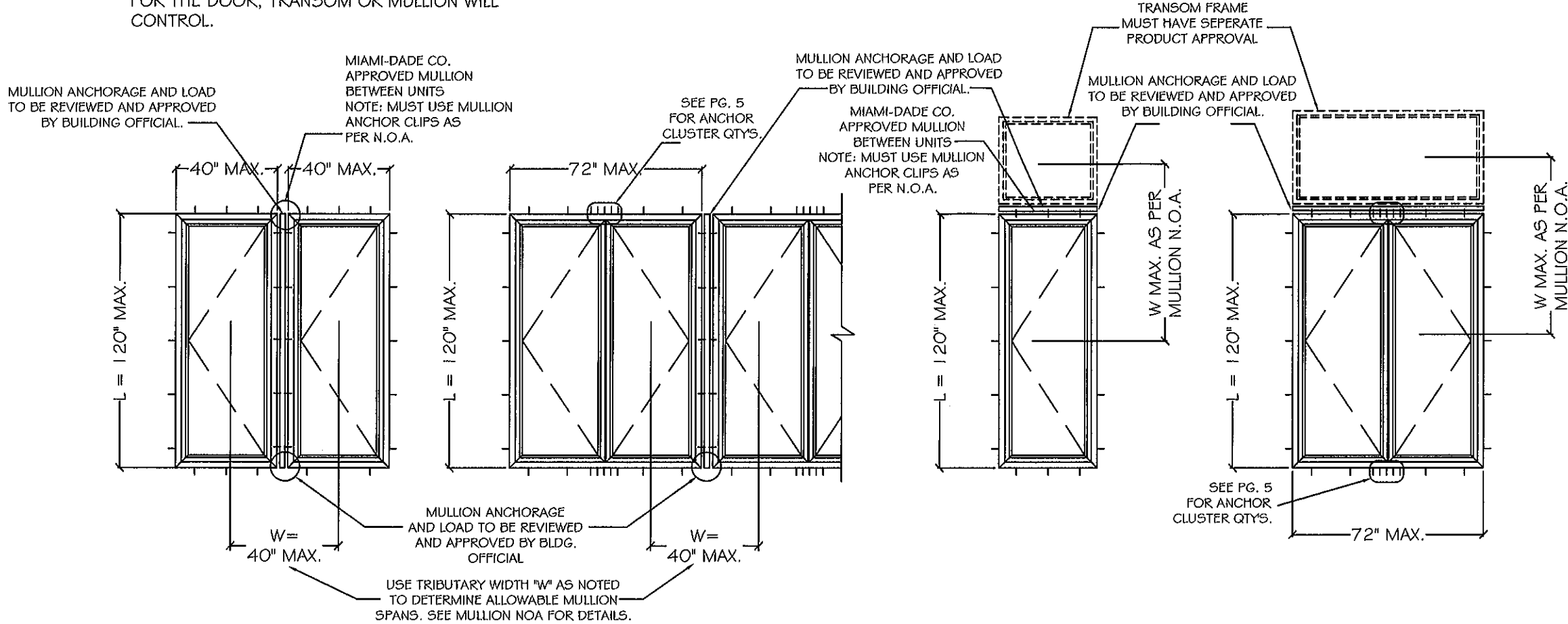
REVISIONS	DATE	BY	DESCRIPTION
No. 1	4/30/12	BM	CODE UPGRADE

DATE: 03/16/2010
 SCALE: NTS.
 DWG. BY: LA FIN
 CHK. BY:

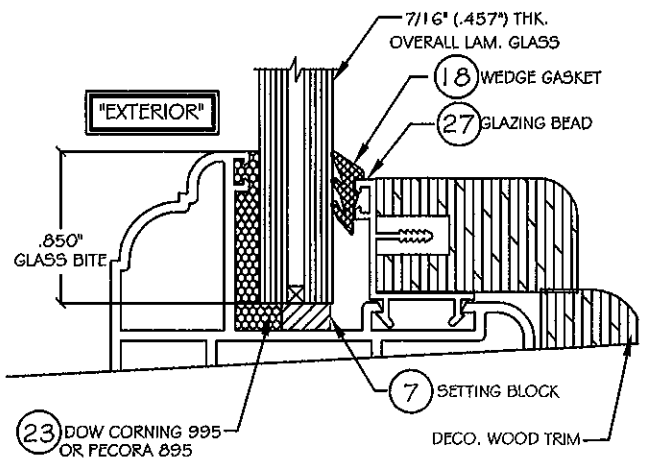
DRAWING No.: FN-EKU53
 SHEET: 1 OF 10

ALTERNATE CONFIGURATIONS

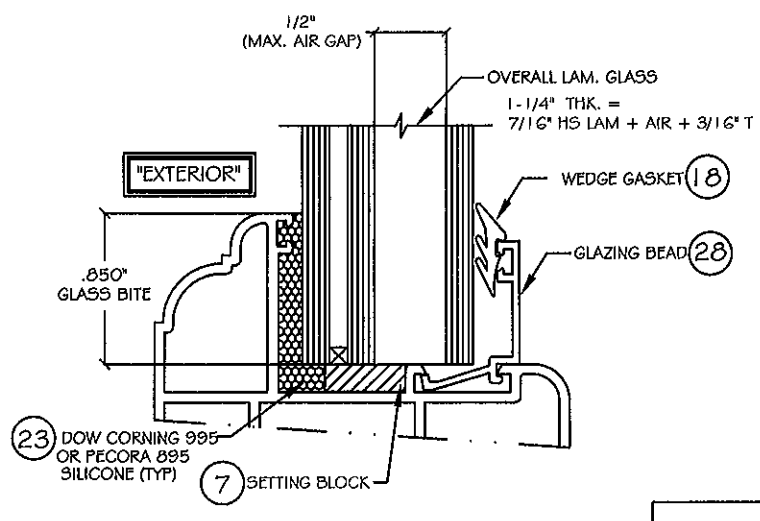
UNITS MAY BE INSTALLED WITH A MIAMI-DADE COUNTY APPROVED MULLION BETWEEN EACH DOOR AND/OR FRAME. THE LOWEST DESIGN PRESSURE FOR THE DOOR, TRANSOM OR MULLION WILL CONTROL.



GLAZING DETAIL GL-1
SCALE: NTS.
MAX D.P. = +110 / -110 PSF

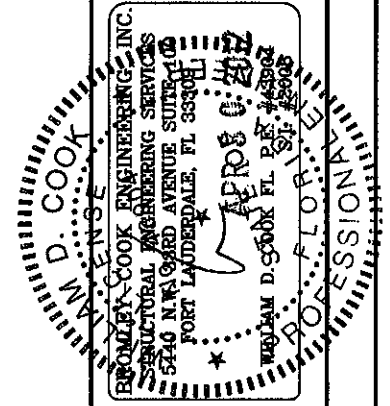
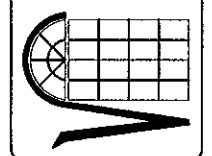


GLAZING DETAIL GL-1 (WITH WOOD TRIM)
SCALE: NTS. OPTION
MAX D.P. = +80 / -80 PSF



GLAZING DETAIL GL-2
SCALE: NTS. MAX D.P. = +80 / -80 PSF

LA FINESTRA, L.C.
ITALIAN WINDOWS & DOORS
2790 NW 104 COURT
Miami, FL 33172
Phone (305) 599-8093
Fax (305) 592-4671



PRODUCT:
EKU-53
IMPACT DOORS
HIGH LOAD

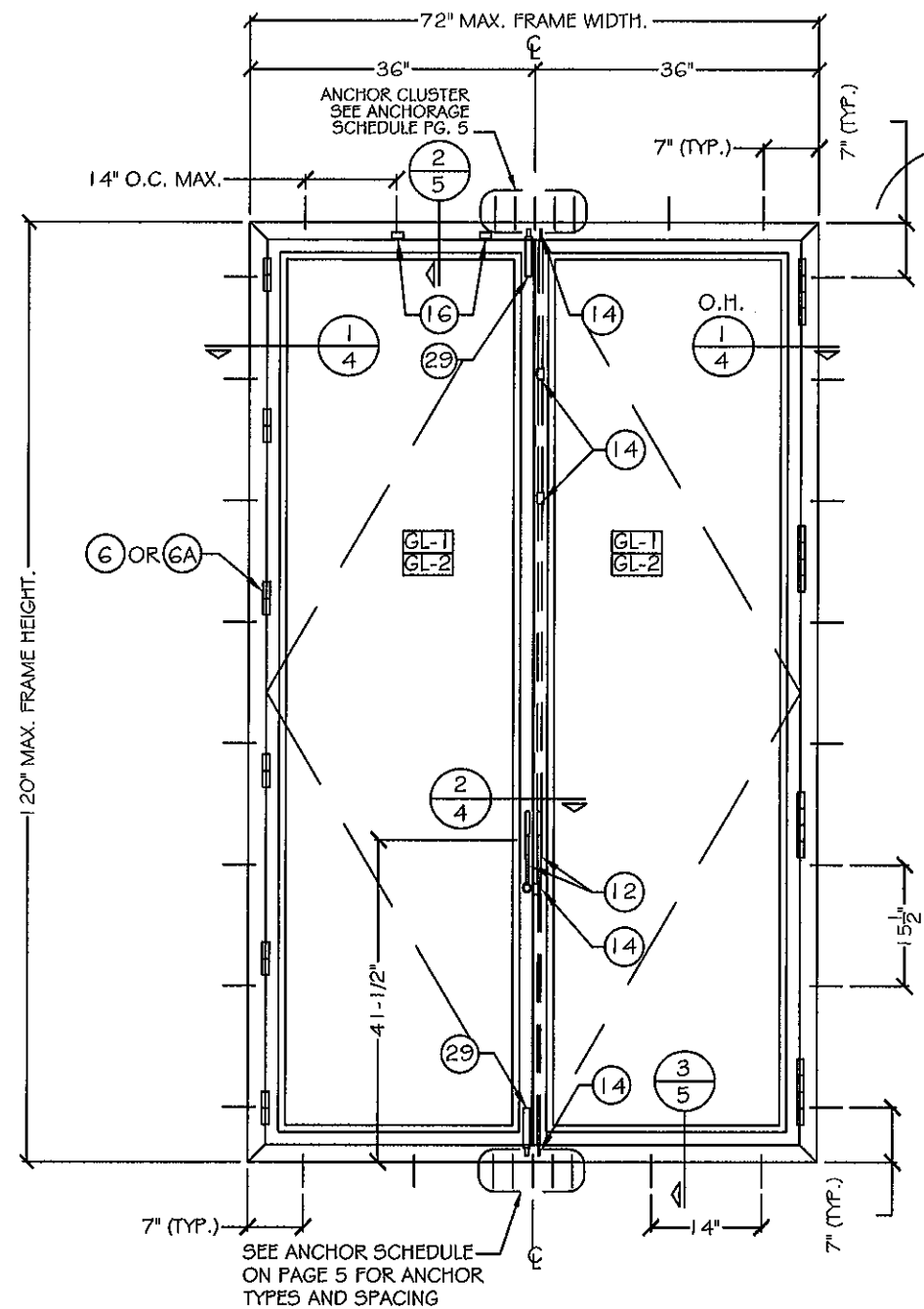
REVISIONS	NO.	DATE	BY	DESCRIPTION
	1	1/30/12	BM	CODE UPGRADE

DATE: 03/16/2010
SCALE: 3/8" = 1'-0"
DWG. BY: LA FIN
CHK. BY:

PRODUCT REVISED
as complying with the Florida Building Code
Acceptance No. 12-0503.05
Expiration Date 2/27/2012
By: *[Signature]*
Miami Dade Product Control

DRAWING No.:
FN-EKU53
SHEET: 2 OF 10

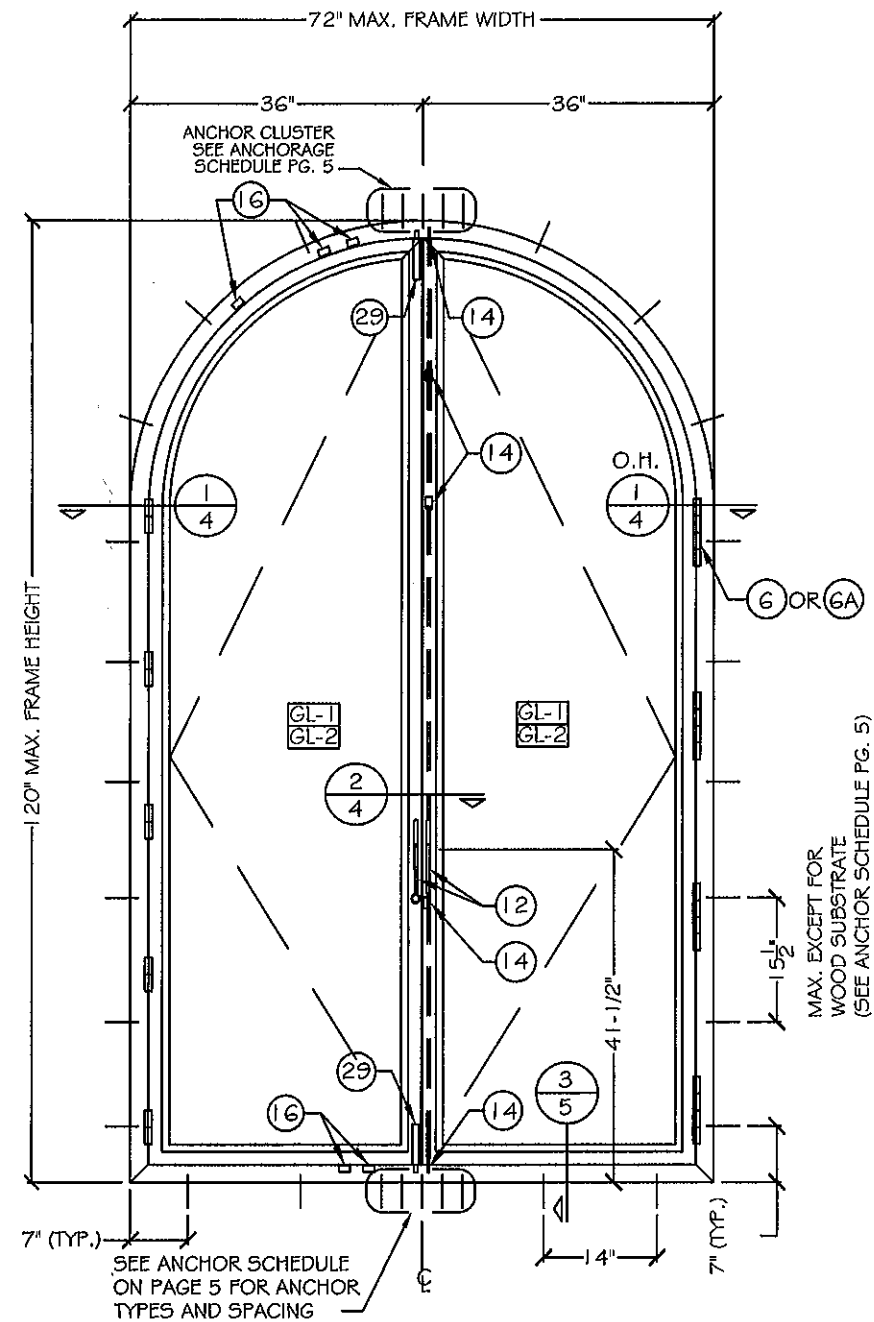
SERIES EKU-53 ALUMINUM OUTSWING DOOR (UNIT ELEVATIONS VIEWED FROM EXTERIOR)



NOTE: FOR ODD NUMBER OF ANCHORS IN CLUSTER, INSTALL ONE ANCHOR IN CENTER OF INTERLOCK.

MAX. EXCEPT FOR WOOD SUBSTRATE (SEE ANCHOR SCHEDULE PG. 5)

HARDWARE	
(2)	OPERATING HANDLE
(4)	5-POINT LOCKING SYSTEM
(6)	MUSHROOM HEAD AND KEEPERS
(29)	FLUSH BOLT
HINGES	
(6) OR (6A)	- 120" DOOR: FASTEN (8) PAIRS OF HINGES IN (4) "CLUSTERS" IN EACH PANEL OR (5) PAIR EQUALLY SPACED ON EACH PANEL
(6) OR (6A)	- 96" DOOR: FASTEN (6) PAIRS OF HINGES IN (3) "CLUSTERS" IN EACH PANEL. OR (5) PAIRS EQUALLY SPACED ON EACH PANEL
GLAZING	
GL-1	GL-2
SEE ALLOWABLE GLASS DLO ON SHEET 1	

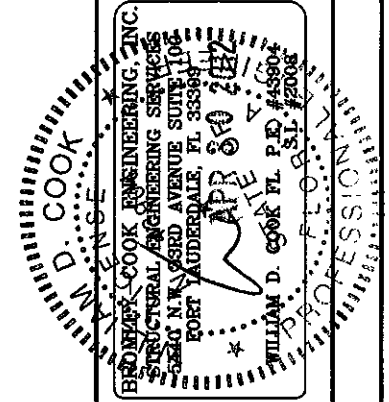
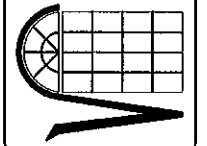


NOTE: FOR ODD NUMBER OF ANCHORS IN CLUSTER, INSTALL ONE ANCHOR IN CENTER OF INTERLOCK.

PRODUCT REVISED
as complying with the Florida
Building Code
Acceptance No. 12-0503.05
Expiration Date 2/27/2008

[Signature]
Product Control

LA FINESTRA, L.C.
ITALIAN WINDOWS & DOORS
2790 NW 104 COURT
Miami, FL 33172
Phone (305) 599-8093
Fax (305) 592-4671

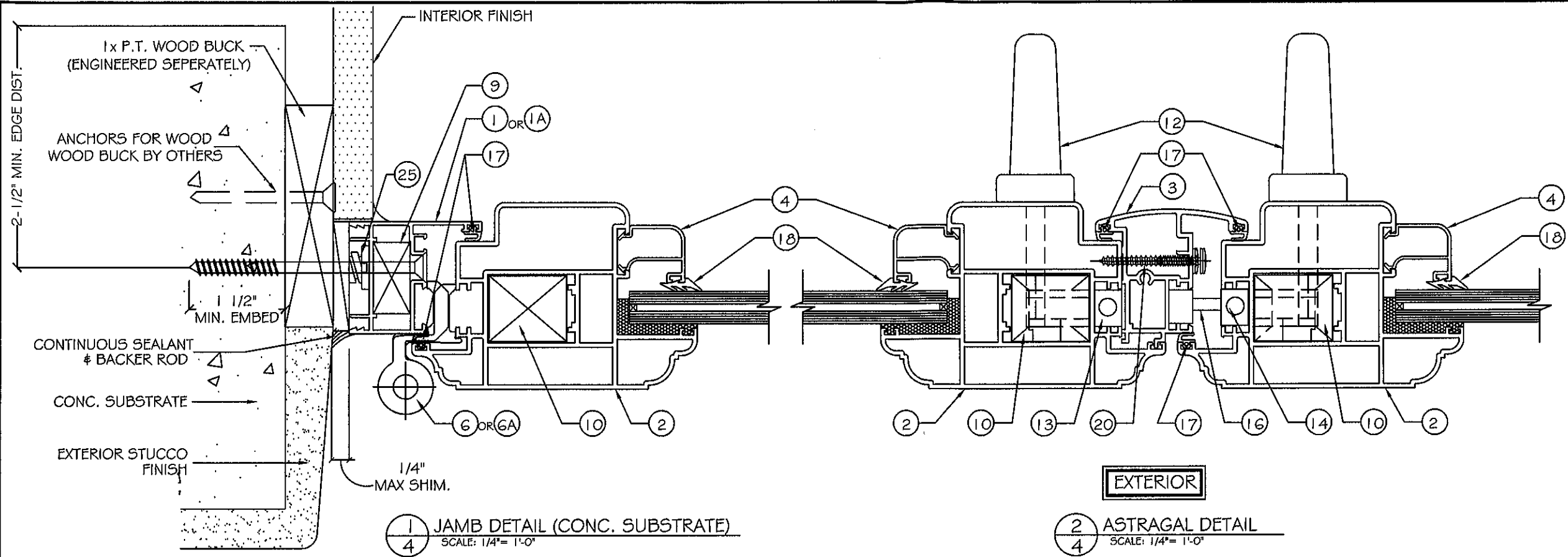


PRODUCT:
**EKU-53
IMPACT DOORS
HIGH LOAD**

REVISIONS	DATE	BY	DESCRIPTION
No. 1	4/30/12	BM	CODE UPGRADE

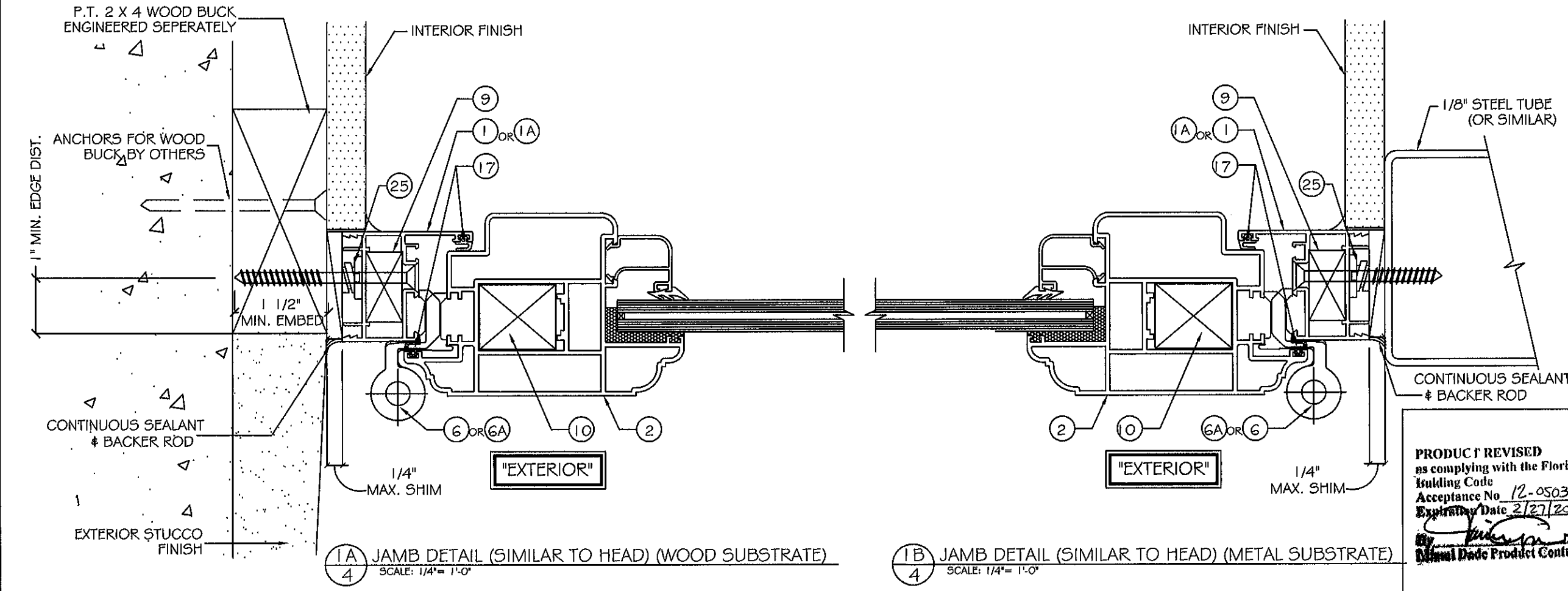
DATE: 03/16/2010
SCALE: 1/2" = 1'-0"
DWG. BY: LA FIN
CHK. BY:

DRAWING No.:
FN-EKU53
SHEET: 3 OF 10



1 JAMB DETAIL (CONC. SUBSTRATE)
4 SCALE: 1/4" = 1'-0"

2 ASTRAGAL DETAIL
4 SCALE: 1/4" = 1'-0"

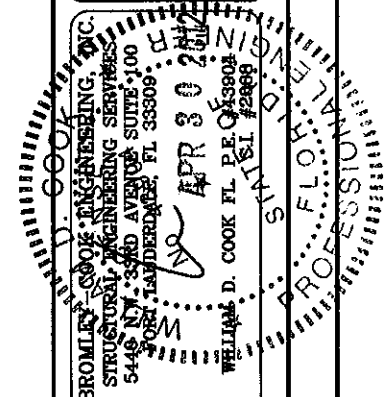
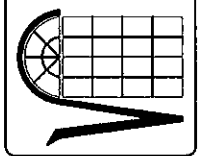


1A JAMB DETAIL (SIMILAR TO HEAD) (WOOD SUBSTRATE)
4 SCALE: 1/4" = 1'-0"

1B JAMB DETAIL (SIMILAR TO HEAD) (METAL SUBSTRATE)
4 SCALE: 1/4" = 1'-0"

PRODUCT REVISED
as complying with the Florida
Building Code
Acceptance No. 12-0503-05
Expiration Date 2/27/2018
[Signature]
Manual Data Product Control

L.A. FINESTRA, L.C.
ITALIAN WINDOWS & DOORS
2790 NW 104 COURT
Miami, FL 33172
Phone (305) 599-8093
Fax (305) 592-4671

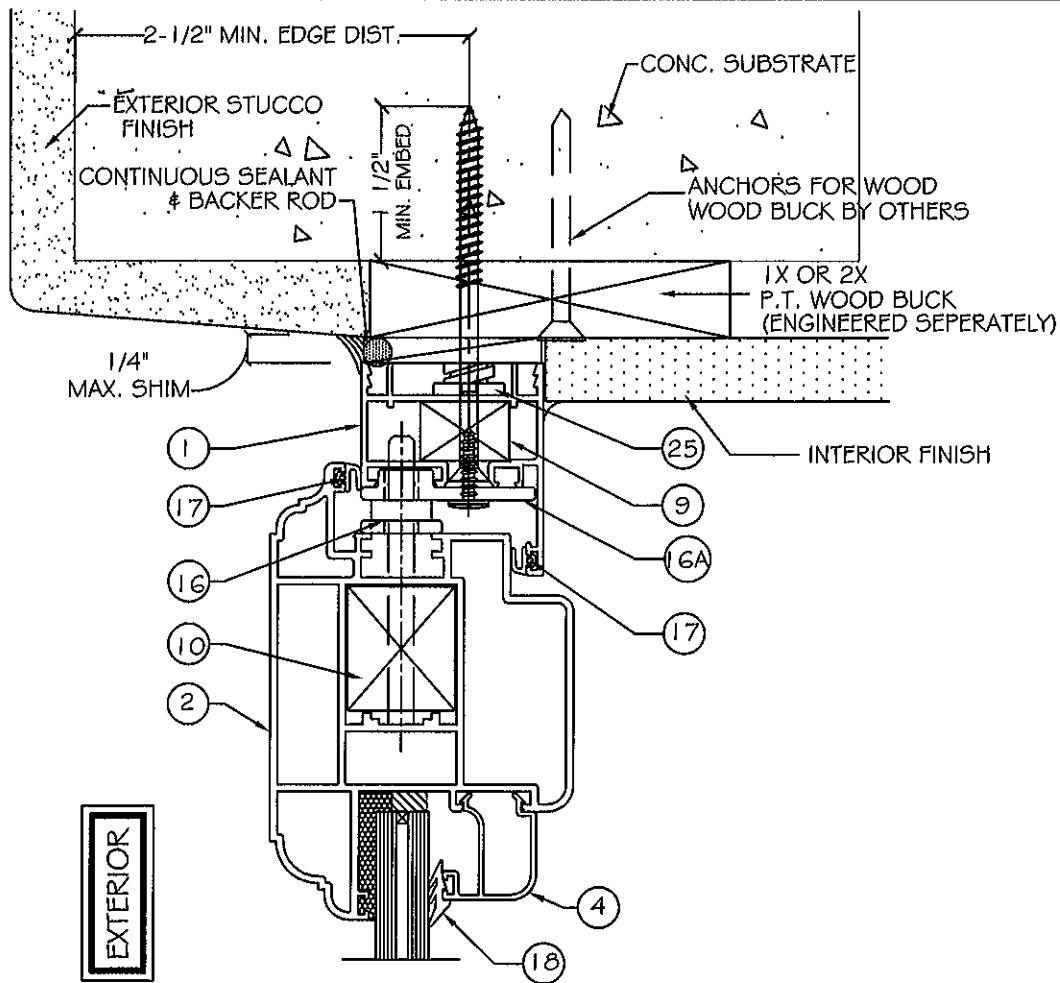


PRODUCT:
EKU-53
IMPACT DOORS
HIGH LOAD

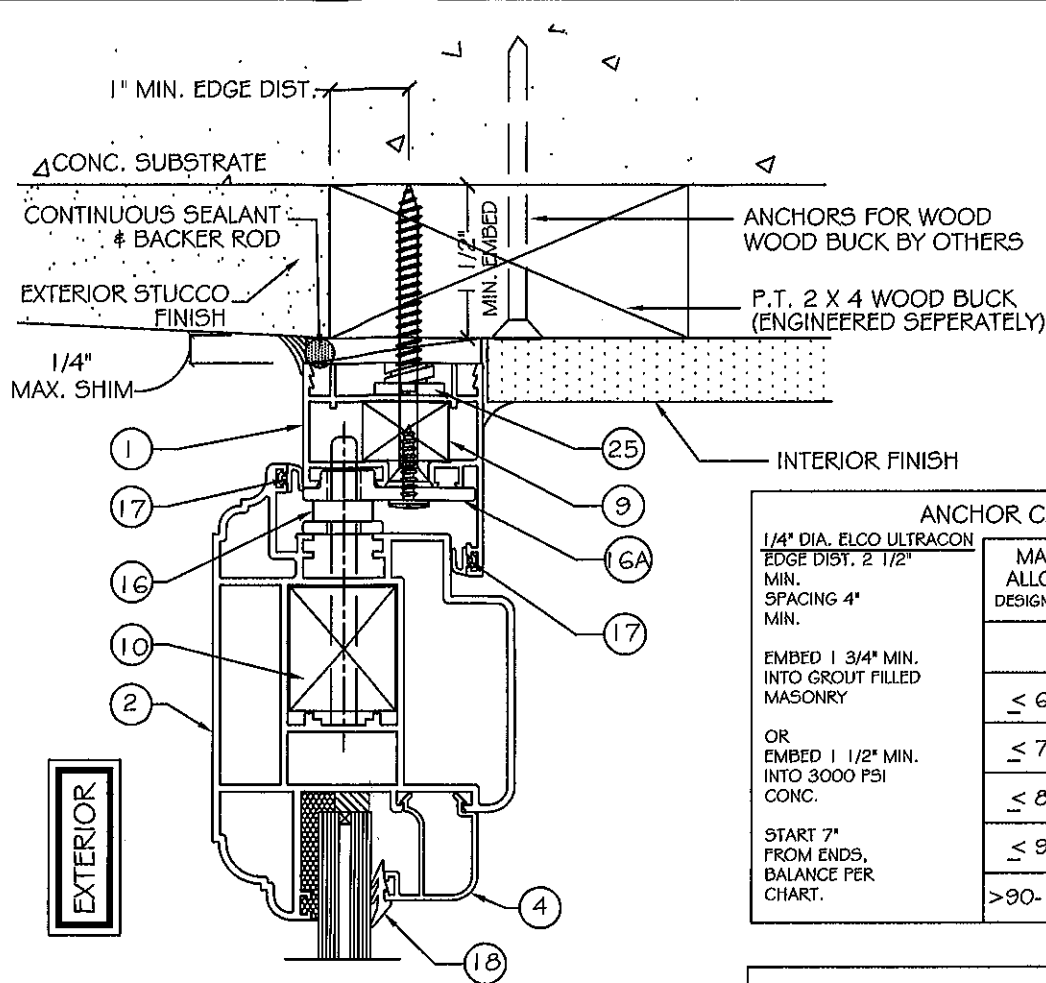
REVISIONS	No.	DATE	BY	DESCRIPTION
	1	4/30/12	EM	CODE UPGRADE

DATE: 03/16/2010
SCALE: AS NOTED
DWG. BY: LA FIN
CHK. BY:

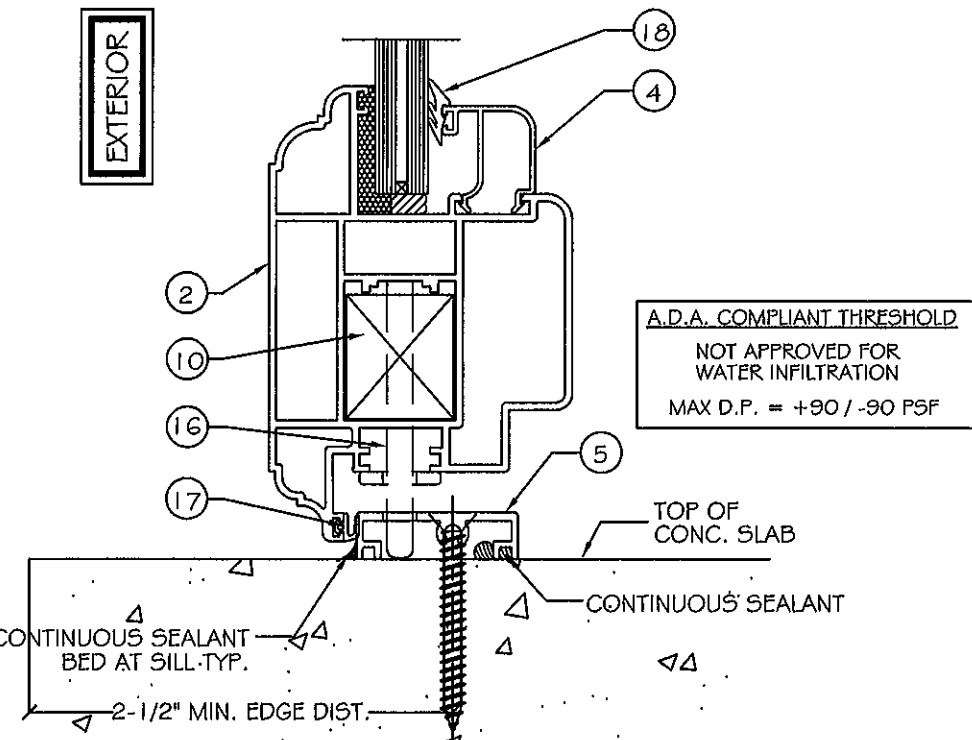
DRAWING No.:
FN-EKU53
SHEET: 4 OF 10



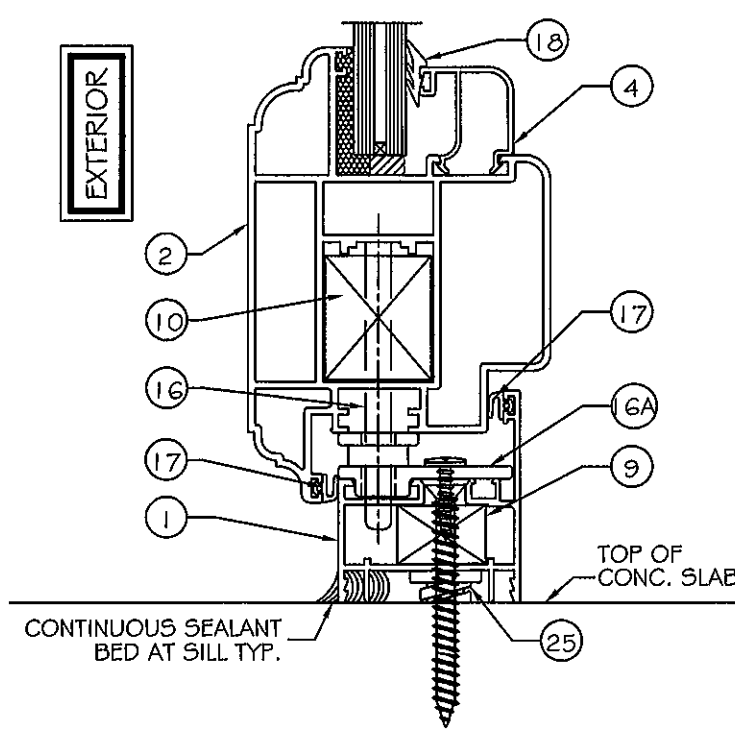
2 HEAD DETAIL (CONC. SUBSTRATE)
5 SCALE: 1/4" = 1'-0"



4 HEAD DETAIL (WOOD SUBSTRATE)
5 SCALE: 1/4" = 1'-0"



3 SILL DETAIL (ADA THRESHOLD)
5 SCALE: 1/4" = 1'-0"



3 SILL DETAIL (STANDARD THRESHOLD)
5 SCALE: 1/4" = 1'-0"

PRODUCT REVISED
as complying with the Florida
Building Code
Acceptance No. 12-0523.05
Expiration Date 2/27/2018
Alfonso...
Product Control

ANCHOR CAPACITY CHART (CONCRETE SUBSTRATE)

1/4" DIA. ELCO ULTRACON
EDGE DIST. 2 1/2"
MIN.
SPACING 4"
MIN.

MAXIMUM ALLOWABLE DESIGN PRESSURE	ANCHORS AT JAMBS	QTY. ANCHORS AT INTERLOCK	
		(W/ FRAME INSERT)	
		UP TO 96"	UP TO 120"
< 60 P.S.F.	15-1/2" C/C	2	3
< 70 P.S.F.	15-1/2" C/C	2	3
< 80 P.S.F.	15-1/2" C/C	3	3
< 90 P.S.F.	15-1/2" C/C	3	N/A
>90-110 P.S.F.	15-1/2" C/C	3	N/A

EMBED 1 3/4" MIN. INTO GROUT FILLED MASONRY

OR
EMBED 1 1/2" MIN. INTO 3000 PSI CONC.

START 7" FROM ENDS, BALANCE PER CHART.

SPACED 4" APART

ANCHOR CAPACITY CHART (STEEL SUBSTRATE)

#14 P.H.S.M.S. OR #14 SELF DRILLING

MAXIMUM ALLOWABLE DESIGN PRESSURE	ANCHORS AT JAMBS	QTY. ANCHORS AT INTERLOCK	
		(W/ FRAME INSERT)	
		UP TO 96"	UP TO 120"
< 60 P.S.F.	15-1/2" C/C	2	3
< 70 P.S.F.	15-1/2" C/C	2	3
< 80 P.S.F.	15-1/2" C/C	3	3
< 90 P.S.F.	15-1/2" C/C	3	N/A
>90-110 P.S.F.	15-1/2" C/C	3	N/A

INTO 1/8" THK. ASTM A36

START 7" FROM ENDS, BALANCE PER CHART.

SPACED 2 1/2" APART

ANCHOR CAPACITY CHART (WOOD SUBSTRATE)

#14 P.H.S.M.S. OR #14 WOOD SCREW

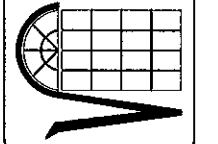
MAXIMUM ALLOWABLE DESIGN PRESSURE	ANCHORS AT JAMBS	QTY. ANCHORS AT INTERLOCK	
		(W/ FRAME INSERT)	
		UP TO 96"	UP TO 120"
< 60 P.S.F.	12" C/C	4	5
< 70 P.S.F.	12" C/C	4	5
< 80 P.S.F.	12" C/C	5	6
< 90 P.S.F.	12" C/C	5	N/A
>90-110 P.S.F.	12" C/C	6	N/A

EMBED 1 1/2" MIN. INTO NO. 2 SYP.

START 7" FROM ENDS, BALANCE PER CHART.

SPACED 2 1/2" APART

LA FINESTRA, L.C.
ITALIAN WINDOWS & DOORS
2790 NW 104 COURT
Miami, FL 33172
Phone (305) 599-8093
Fax (305) 592-4671



BROWN & COOK ENGINEERING, INC.
STRUCTURAL ENGINEERING SERVICES
2449 N.W. 34th AVENUE SUITE 100
FORT LAUDERDALE, FL 33306
APR 30 2018
WILLIAM D. COOK P.E. #45904
PROFESSIONAL SEAL

PRODUCT:
EKU-53
IMPACT DOORS
HIGH LOAD

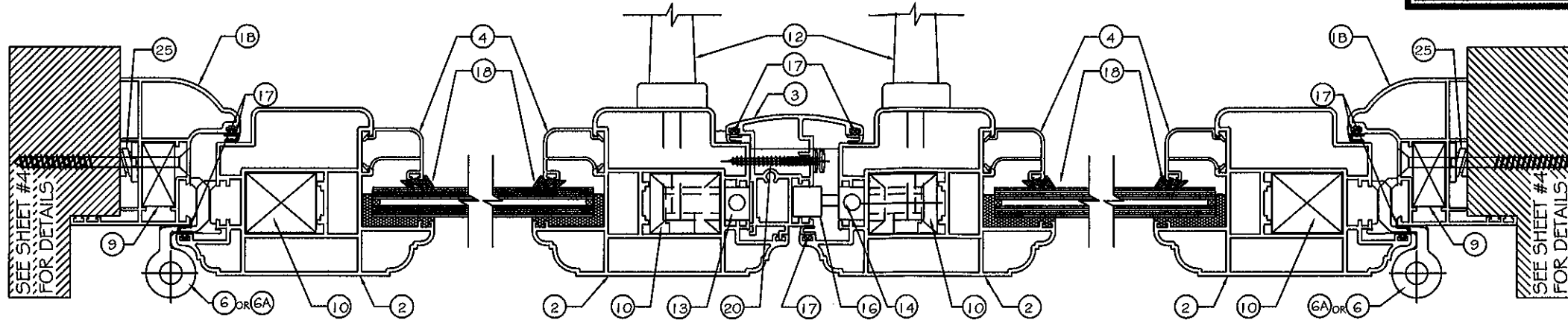
REVISIONS

No.	DATE	DESCRIPTION
1	4/30/12	BM CODE UPGRADE

DATE: 03/16/2010
SCALE: 3/16" = 1'-0"
DWG. BY: LA FIN
CHK. BY:
DRAWING No.: FN-EKU53
SHEET: 5 OF 10

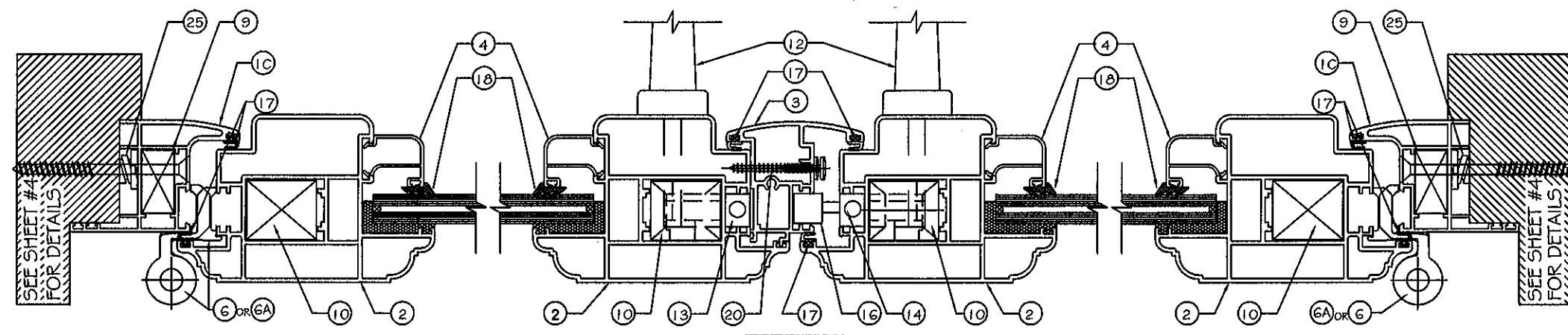
PROFILE COMBINATIONS

NOTE: PLEASE SEE D.P. LIMITATIONS FOR GLAZING BEAD ON SHEET 2



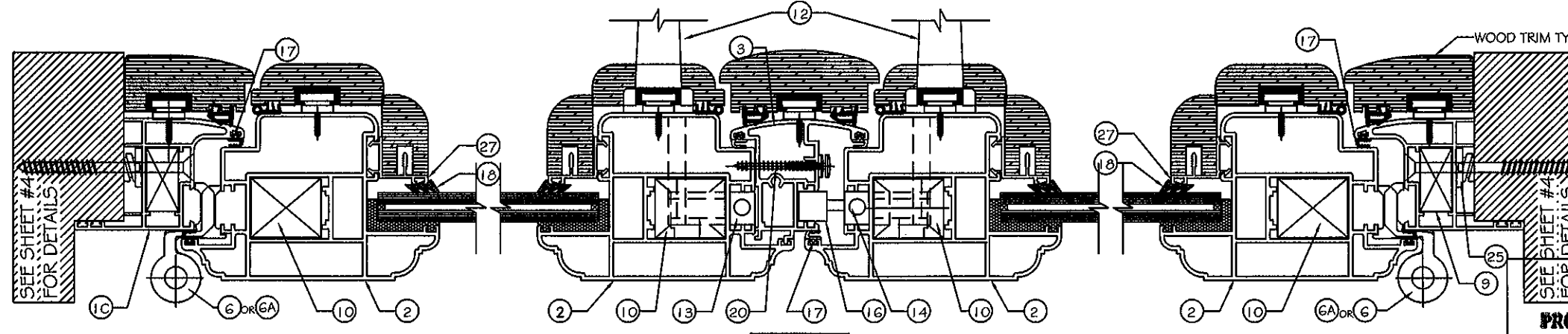
COMBINATION 1
SCALE: 3/16" = 1'-0"

MAXIMUM P.S.F. @ 96" +110.00 -110.00 DESIGN PRESSURE - WATER INFILTRATION TEST PRESSURE = 13.5 PSF
 MAXIMUM P.S.F. @ 120" +80.00 -80.00 DESIGN PRESSURE - WATER INFILTRATION TEST PRESSURE = 12 PSF



COMBINATION 2
SCALE: 3/16" = 1'-0"

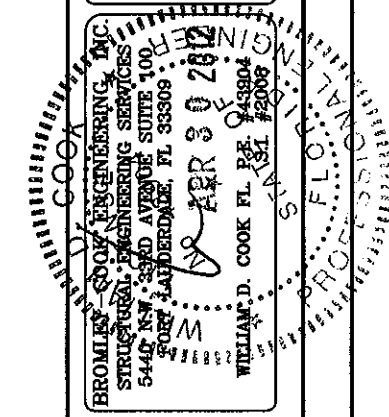
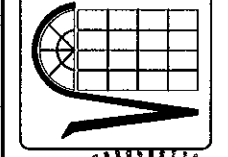
MAXIMUM P.S.F. @ 96" +110.00 -110.00 DESIGN PRESSURE - WATER INFILTRATION TEST PRESSURE = 13.5 PSF
 MAXIMUM P.S.F. @ 120" +80.00 -80.00 DESIGN PRESSURE - WATER INFILTRATION TEST PRESSURE = 12 PSF



COMBINATION 2 WITH WOOD TRIM
SCALE: 3/16" = 1'-0"

MAXIMUM P.S.F. @ 120" +80.00 -80.00 DESIGN PRESSURE - WATER INFILTRATION TEST PRESSURE = 12 PSF

LA FINESTRA, L.C.
 ITALIAN WINDOWS & DOORS
 2790 NW 104 COURT
 Miami, FL 33172
 Phone (305) 599-8093
 Fax (305) 592-4671



PRODUCT:
EKU-53
IMPACT DOORS
HIGH LOAD

REVISIONS	No.	DATE	BY	DESCRIPTION
	1	4/30/12	BM	CODE UPGRADE

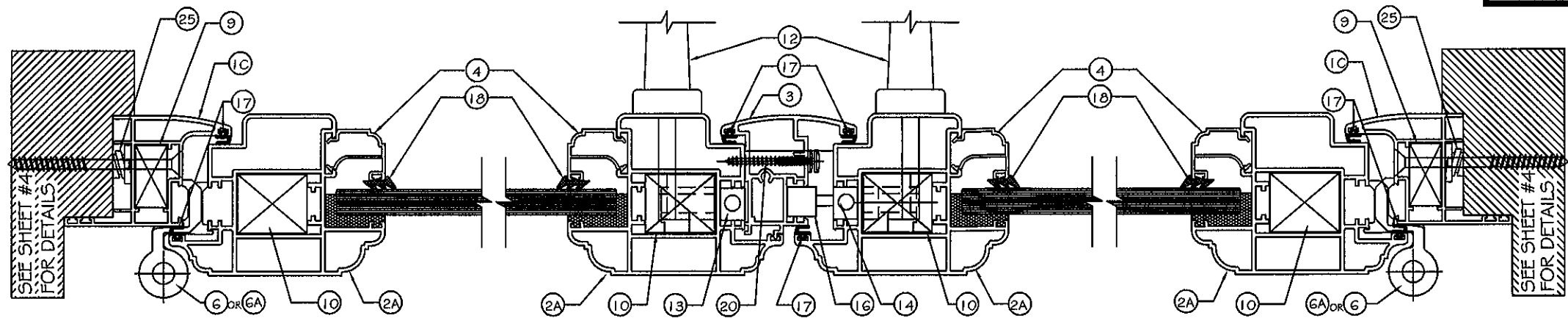
DATE: 03/16/2010
 SCALE: AS NOTED
 DWG. BY: LA FIN
 CHK. BY:

PRODUCT REVISED
 as complying with the Florida Building Code
 Acceptance No. 12-0503.05
 Expiration Date 2/27/2018
 Miami Dade Product Control

DRAWING No.: FN-EKU53
 SHEET: 6 OF 10

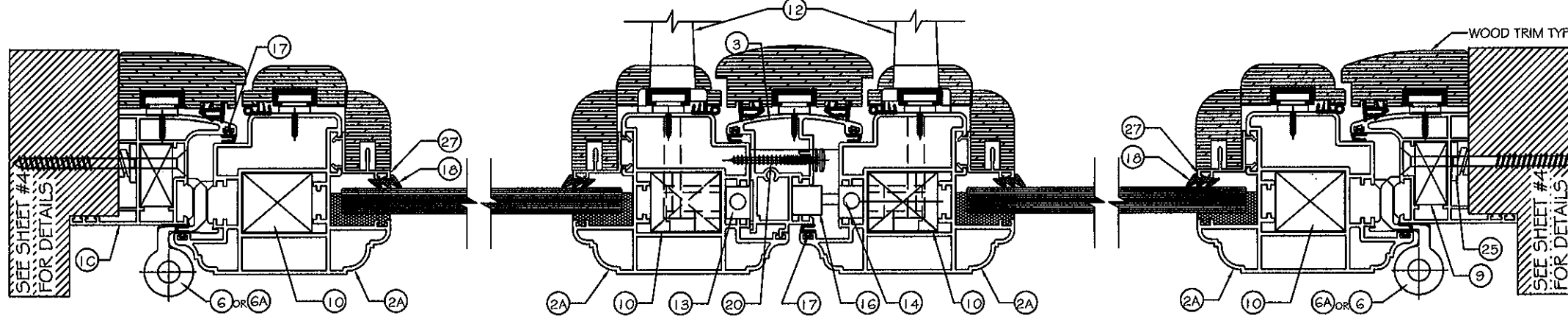
PROFILE COMBINATIONS

NOTE: PLEASE SEE D.P. LIMITATIONS FOR GLAZING BEAD ON SHEET 2



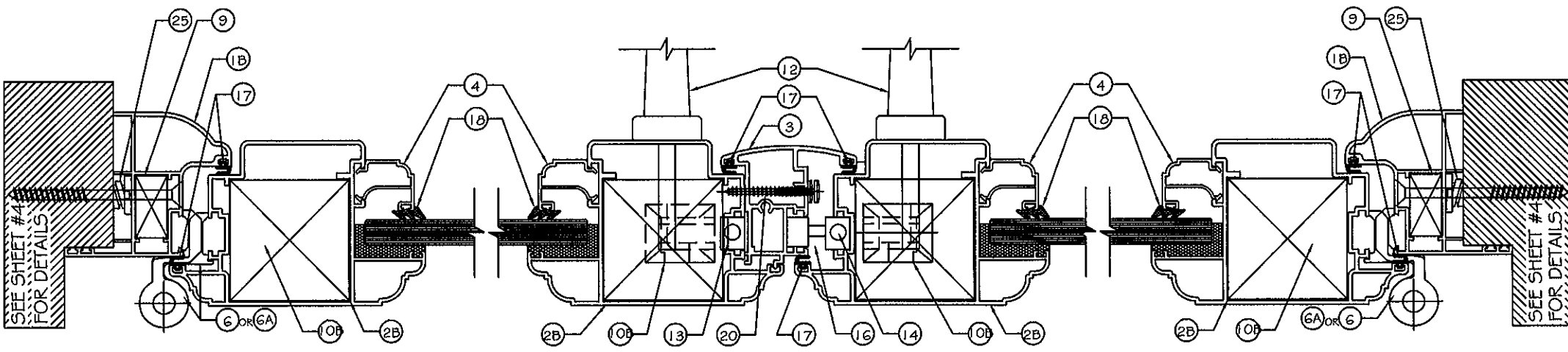
COMBINATION 3
SCALE: 3/16" = 1'-0"

MAXIMUM P.S.F. @ 96" +110.00 -110.00 DESIGN PRESSURE - WATER INFILTRATION TEST PRESSURE = 13.5 PSF
 MAXIMUM P.S.F. @ 120" +80.00 -80.00 DESIGN PRESSURE - WATER INFILTRATION TEST PRESSURE = 12 PSF



COMBINATION 3 WITH WOOD TRIM
SCALE: 3/16" = 1'-0"

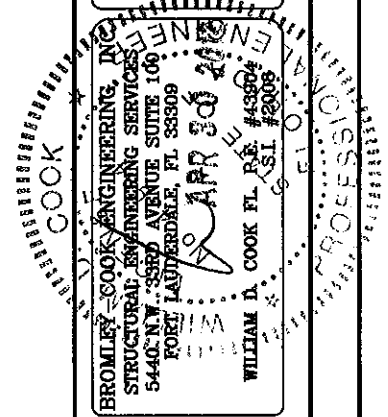
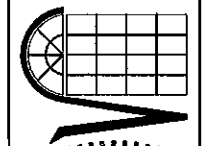
MAXIMUM P.S.F. @ 120" +80.00 -80.00 DESIGN PRESSURE - WATER INFILTRATION TEST PRESSURE = 12 PSF



COMBINATION 4
SCALE: 3/16" = 1'-0"

MAXIMUM P.S.F. @ 96" +110.00 -110.00 DESIGN PRESSURE - WATER INFILTRATION TEST PRESSURE = 13.5 PSF
 MAXIMUM P.S.F. @ 120" +80.00 -80.00 DESIGN PRESSURE - WATER INFILTRATION TEST PRESSURE = 12 PSF

LA FINESTRA, L.C.
ITALIAN WINDOWS & DOORS
2790 NW 104 COURT
Miami, FL 33172
Phone (305) 599-8093
Fax (305) 592-4671



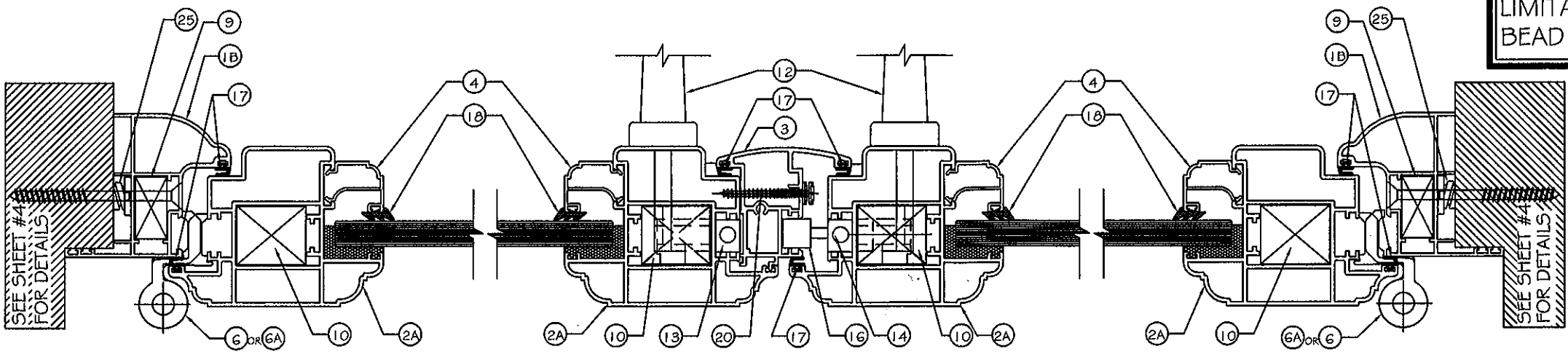
PRODUCT:
EKU-53
IMPACT DOORS
HIGH LOAD

NO.	DATE	BY	DESCRIPTION
1	4/30/12	BM	CODE UPGRADE

PRODUCT REVISED
as complying with the Florida
Building Code
Acceptance No. 12-0503.05
Expiration Date 2/27/2018
[Signature]
Product Control

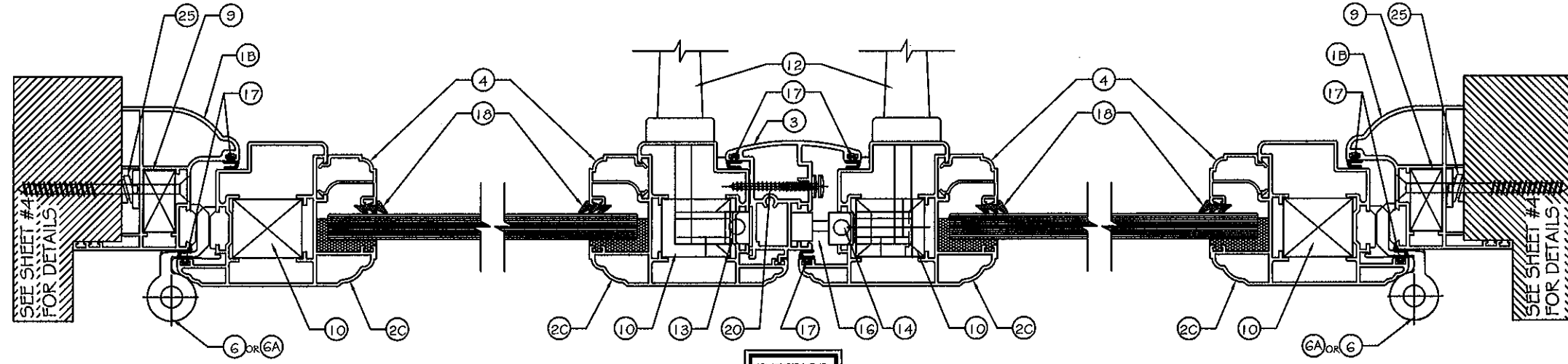
DATE: 03/16/2010
SCALE: AS NOTED
DWG. BY: LA FIN
CHK. BY:
DRAWING No.:
FN-EKU53
SHEET: 7 OF 10

NOTE: PLEASE SEE D.P. LIMITATIONS FOR GLAZING BEAD ON SHEET 2



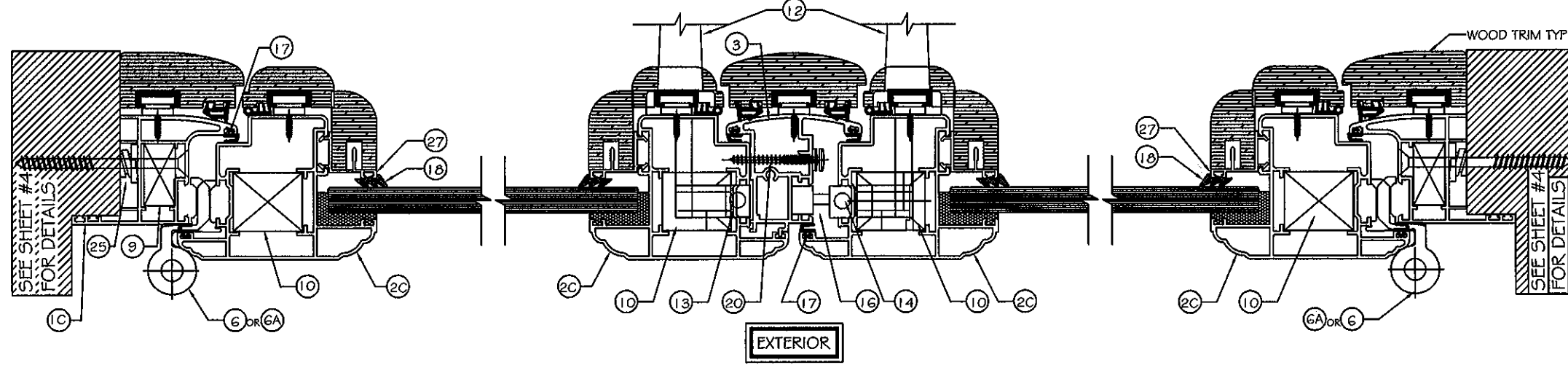
COMBINATION 5
SCALE: 3/16" = 1'-0"

MAXIMUM P.S.F. @ 96" +110.00 -110.00 DESIGN PRESSURE - WATER INFILTRATION TEST PRESSURE = 13.5 PSF
MAXIMUM P.S.F. @ 120" +80.00 -80.00 DESIGN PRESSURE - WATER INFILTRATION TEST PRESSURE = 12 PSF



COMBINATION 6
SCALE: 3/16" = 1'-0"

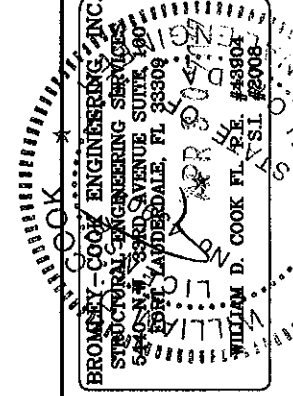
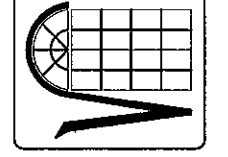
MAXIMUM OF 96" H D.P. = +80 / -80 PSF WATER @ 12 PSF



COMBINATION 7 WITH WOOD TRIM
SCALE: 3/16" = 1'-0"
NOTE: WOOD TRIM IS OPTIONAL

MAXIMUM OF 96" H D.P. = +80 / -80 PSF WATER @ 12 PSF

LA FINESTRA, L.C.
ITALIAN WINDOWS & DOORS
2790 NW 104 COURT
Miami, FL 33172
Phone (305) 599-8093
Fax (305) 592-4671

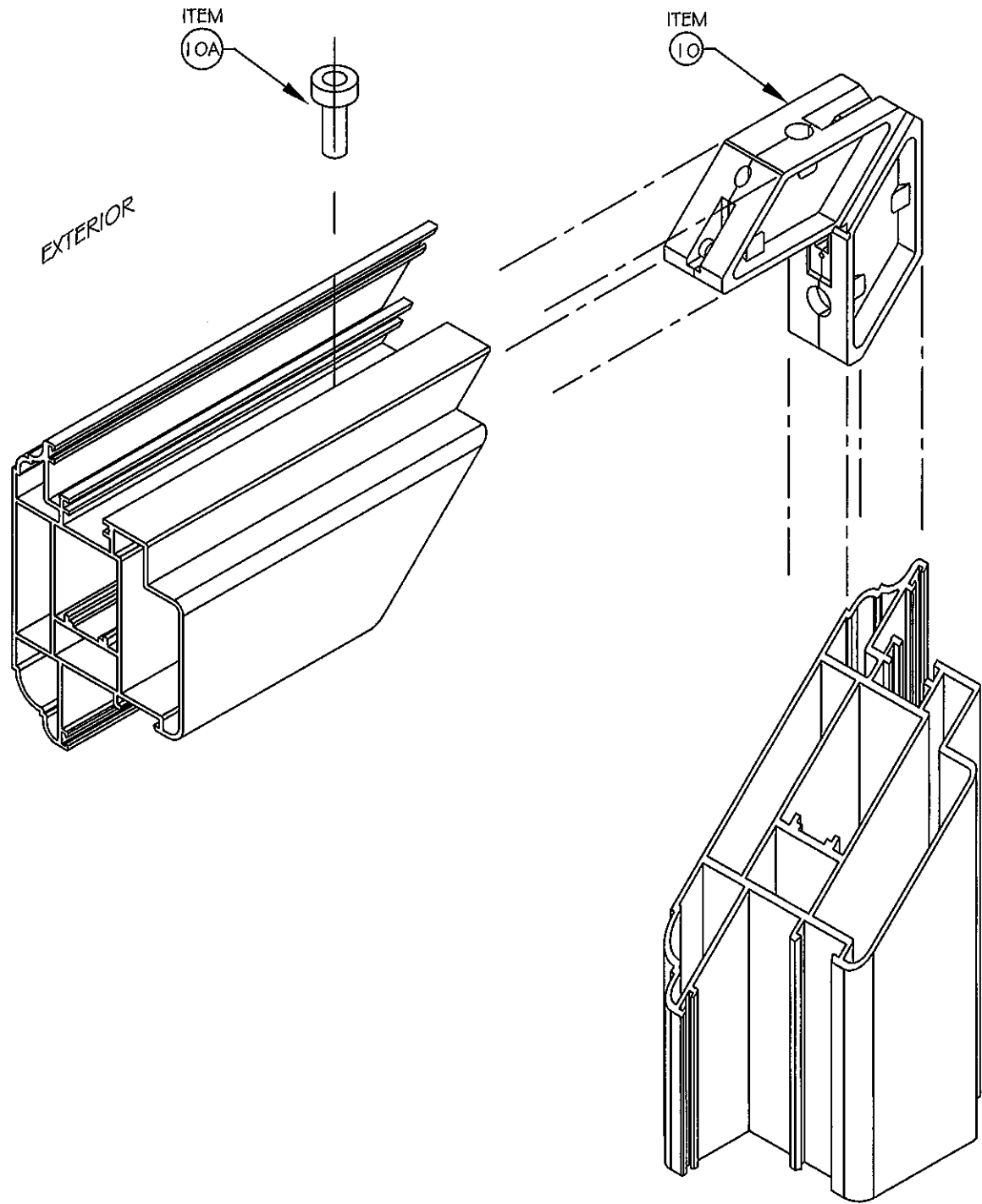


PRODUCT:
EKU-53
IMPACT DOORS
HIGH LOAD

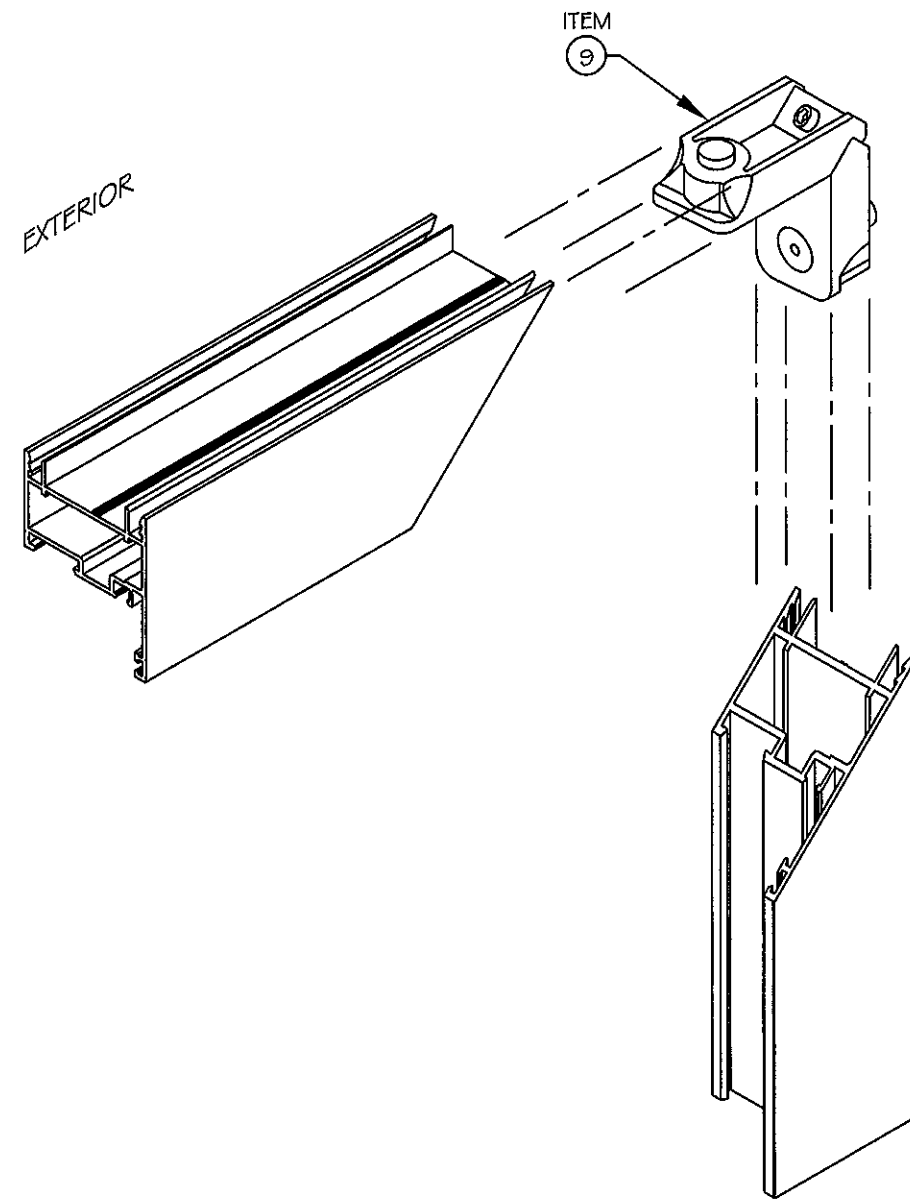
No.	DATE	BY	DESCRIPTION
1	4/30/12	BM	CODE UPGRADE

PRODUCT REVISED
as complying with the Florida
Building Code
Acceptance No. 2-0503.05
Expiration Date 2/27/2018
By *[Signature]*
Miami Dade Product Control

DATE: 03/16/2010
SCALE: AS NOTED
DWG. BY: LA FIN
CHK. BY:
DRAWING No.:
FN-EKU53
SHEET: 8 OF 10



WINDOW PANEL CORNER DETAIL



WINDOW FRAME CORNER DETAIL

NOTE: SEAL JOINTS
WITH POLYURETHANE
SEALANT DURING
ASSEMBLY

PRODUCT REVISED
as complying with the Florida
Building Code
Acceptance No. 12-0503.05
Expiration Date 2/27/2018
[Signature]
Product Control

LA FINESTRA, L.C.
ITALIAN WINDOWS & DOORS
2790 NW 104 COURT
Miami, FL 33172
Phone (305) 599-8093
Fax (305) 592-4671

BROMLEY-COOK ENGINEERING, INC.
STRUCTURAL ENGINEERING SERVICES
2140 N.W. 3560 AVENUE, SUITE 206
FORD LAVERDALE, FL 33506
APPROVED FOR
WILLIAM B. COOK P.E. #43804
FL ST. #2008

PRODUCT:
**EKU-53
IMPACT DOORS
HIGH LOAD**

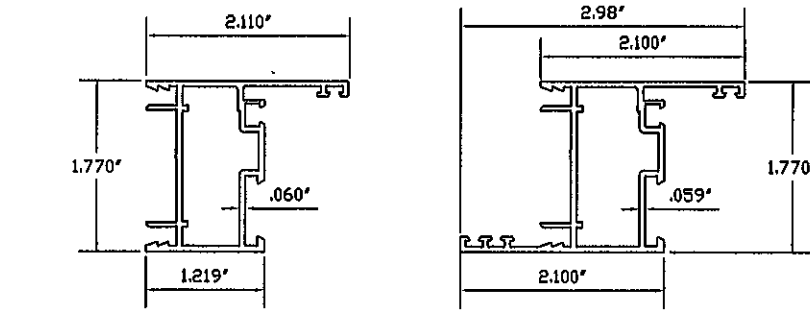
REVISIONS	
NO.	DATE BY DESCRIPTION
1	4/30/12 BM CODE UPGRADE

DATE: 03/16/2010
SCALE: AS NOTED
DWG. BY: LA FIN
CHK. BY:

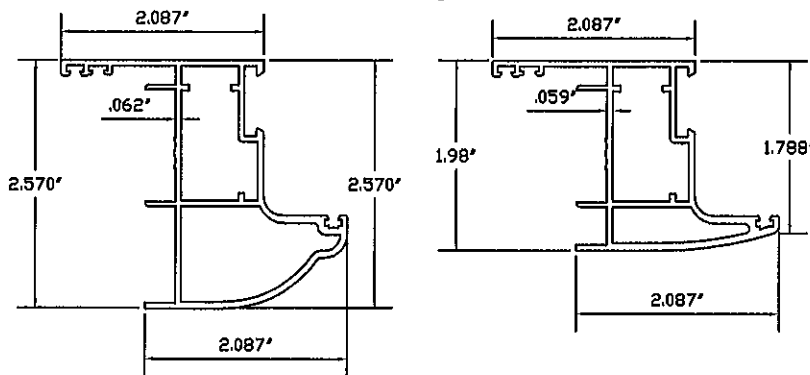
DRAWING No.:
FN-EKU53
SHEET 9 OF 10

BILL OF MATERIALS

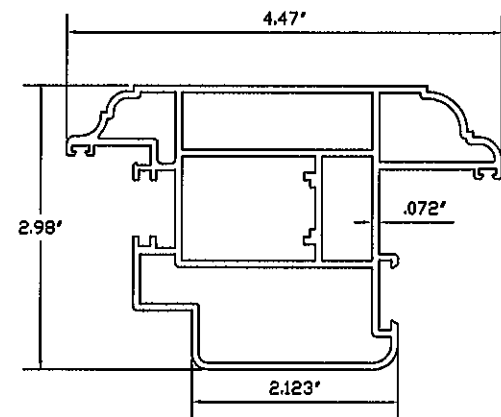
ITEM	PART No.	QUANTITY	DESCRIPTION	MATERIAL	LOCATION	MANUFACTURER
1	7011	4	FRAME HEAD/JAMB/RESIDENTIAL SILL	AL.AL. -6060-T5	DOOR FRAME	PROFILATI SpA
1A	7012	4	FRAME HEAD/JAMB/RESIDENTIAL SILL	AL.AL. -6060-T5	DOOR FRAME	PROFILATI SpA
1B	17948	4	FRAME HEAD/JAMB/RESIDENTIAL SILL	AL.AL. -6063-T5	DOOR FRAME	PROFILATI SpA
1C	17949	4	FRAME HEAD/JAMB/RESIDENTIAL SILL	AL.AL. -6063-T5	DOOR FRAME	PROFILATI SpA
2	Z16012	4	PANEL HEAD/JAMB/SILL	AL.AL. -6060-T5	DOOR PANEL	PROFILATI SpA
2A	Z16013	4	PANEL HEAD/JAMB/SILL	AL.AL. -6063-T5	DOOR PANEL	PROFILATI SpA
2B	Z19678	4	PANEL HEAD/JAMB/SILL	AL.AL. -6063-T5	DOOR PANEL	PROFILATI SpA
2C	Z18853	4	PANEL HEAD/JAMB/SILL	AL.AL. -6063-T5	DOOR PANEL	PROFILATI SpA
3	Z16014	1	ASTRAGAL	AL.AL. -6060-T5	INACTIVE LEAF PANEL JAMB	PROFILATI SpA
4	4195	4/VENT	GLAZING BEAD	AL.AL. -6060-T5	PANEL PERIMETER	PROFILATI SpA
5	6009	1	COMMERCIAL THRESHOLD	AL.AL. -6060-T5	THRESHOLD	PROFILATI SpA
6	A8221	6/VENT	4" BUTTHINGES	AL.AL. -6060-T5	PANEL AND FRAME JAMBS	MASTER
6A	160/12	6/VENT	4" BUTTHINGES	AL.AL. -6060-T5	PANEL AND FRAME JAMBS	CASALI
7	N/A	2 EA. LITE OF GLASS	1/4" X 1/2" X 3" LG. SETTING BLOCK	EXTRUDED SILICONE	6" FROM ENDS	GENERIC
9	0409	1 EA. CORNER	FRAME CORNER KEY	CAST ALUMINUM	FRAME CORNERS	MONTICELLI
10	5004	1 EA. CORNER	PANEL CORNER KEY	CAST ALUMINUM	PANEL CORNERS	MONTICELLI
10A	001	1 EA. CORNER	PANEL CORNER KEY	EXT. ALUMINUM	PANEL CORNERS	PROFILATI SpA
10B	002	1 EA. CORNER	PANEL CORNER KEY	EXT. ALUMINUM	PANEL CORNERS	PROFILATI SpA
12	SERIES 800	1/VENT	OPERATING HANDLE	ALUMINUM	EACH PANEL JAMB	PASINI
13	1025	2	TRANSMISSION MOVEMENT DEVISE	ZAMA/S.S.	PANEL JAMB ASTRAGAL SIDE ONLY	GSG
14	1286		5-POINT LOCKING SYSTEM	S.S.	ACTIVE PANEL	AMESBURY
15	FB-1300-20-SS	2	FLUSH BOLT	S.S.	ACTIVE PANEL	SULLIVAN
16	4031	AS SHOWN	MUSHROOM HEAD AND KEEPERS	S.S./ALUMINUM	PANEL JAMB AT TOP & BOTTOM	GSG/LAFIN
16A	CD-MPK-100-SS		MULTIPOINT KEEPER KIT	S.S./ALUMINUM	PANEL JAMB AT TOP & BOTTOM	SULLIVAN
17	2666	AS REQ'D.	WEATHERSTRIP GASKET	EPDM	FRAME JAMB/ASTRAGAL/FRAME PANEL	PROFILATI SpA
18	002/009	AS REQ'D.	WEDGE GASKET	EPDM	PANEL GLAZING PERIM. (INTERIOR)	PROFILATI SpA
19	---	2/EACH	# 10 x 2 1/2" FH.SMS. (ASSEMBLY)	PLATED STEEL	FLUSHBOLT STRIKE PLATE	---
20	---	SEE ELEV.	# 8 x 1 1/2" FH.SMS. (ASSEMBLY)	PLATED STEEL	ASTRAGAL (SINGLE ROW)	---
22	---	2 EA. CORNER	#14 X 3/4" FH. SMS. (PANEL ASS'Y)	PLATED STEEL	PANEL CORNERS	---
23	895/995	CONTINUOUS	STRUCTURAL SILICONE	SILICONE	PERIMETER GLASS TO METAL	PECORA OR DOW CORNING
25	CD.100.BK	AS REQ'D.	FRAME INSERT	ALLUM/NYLON	FRAME PERIMETER (SINGLE ROW)	SULLIVAN
26	SDG.SP.316	AS REQ'D.	STRIKE PLATE	S.S.	ALONGSIDE FRAME (WHERE LOCK MEETS)	SULLIVAN
27	092109	4/VENT	GLAZING BEAD	AL.AL. -6060-T5	PANEL PERIMETER	PROFILATI SpA
28	4293	4/VENT	GLAZING BEAD	AL.AL. -6060-T5	PANEL PERIMETER	PROFILATI SpA
29	2167/2168	2	FLUSH BOLT	ZAMA	INACTIVE PANEL	GSG



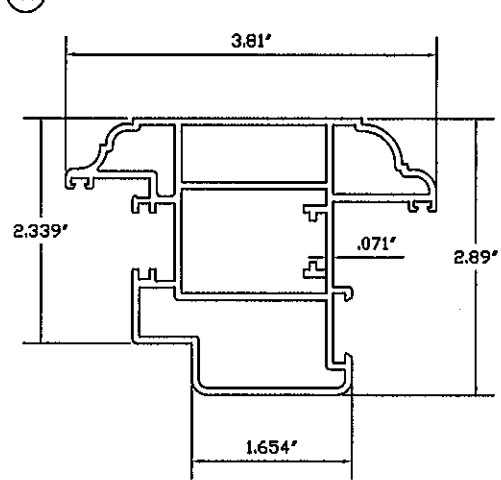
① 7011 - FRAME HEAD-JAMB-SILL WITHOUT FLANGE
 ①A 7012 - FRAME HEAD-JAMB-SILL WITH FLANGE



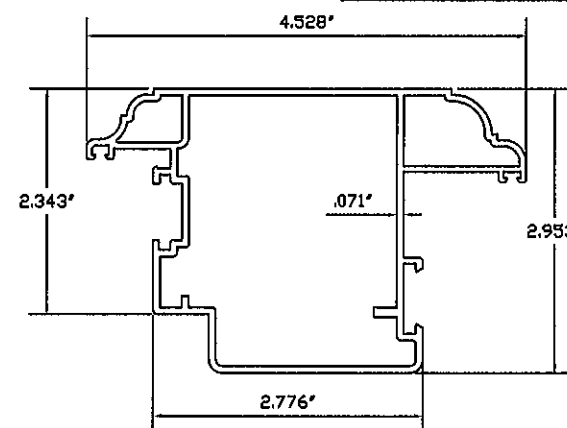
①B 17948 - FRAME HEAD
 ①C 17949 - FRAME HEAD



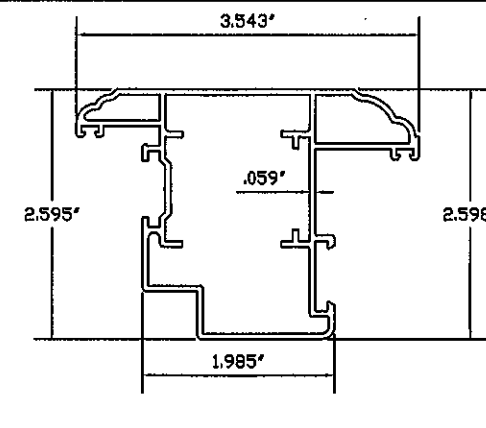
② Z16012 - PANEL HEAD / JAMB / SILL



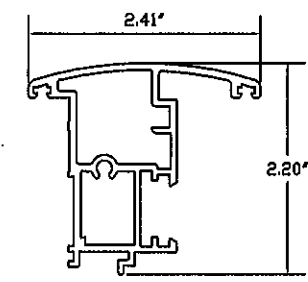
②A Z16013 - PANEL HEAD / JAMB / SILL



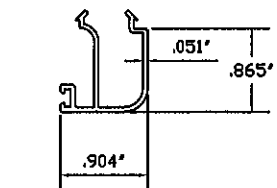
②B Z16978 - PANEL HEAD / JAMB / SILL



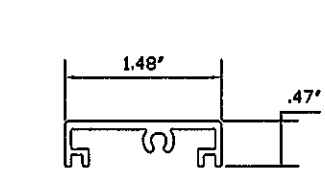
②C 18853 - PANEL HEAD / JAMB / SILL



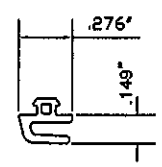
③ Z16014 - ASTRAGAL



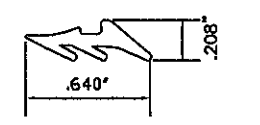
④ 4195 - GLAZING BEAD



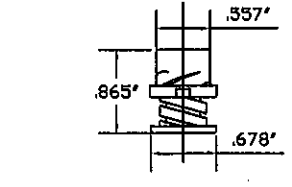
⑤ 6009 - COMMERCIAL THRESHOLD



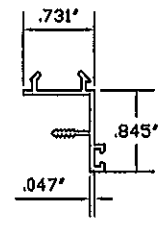
①7 2666 WEATHERSTRIP GASKET



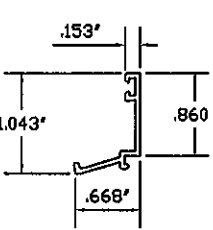
①8 002/009 WEDGE GASKET



②5 CD.100.BK FRAME INSERT



②7 092109 GLAZING BEAD

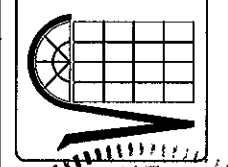


②8 4293 GLAZING BEAD

NOT USED: ⑧ ②①
 ①① ②④

PRODUCT REVISED
 as complying with the Florida
 Building Code
 Acceptance No. 12-0503-05
 Expiration Date 2/27/2018
 By: [Signature]
 Product Control

L.A. FINESTRA, L.C.
 ITALIAN WINDOWS & DOORS
 2790 NW 104 COURT
 Miami, FL 33172
 Phone (305) 599-8093
 Fax (305) 592-4671



BROMLEY COOK ENGINEERING, INC.
 STRUCTURAL ENGINEERING SERVICES
 5440 S.W. 75th AVENUE, SUITE 100
 FORT LAUDERDALE, FL 33309
 WILLIAM T. COOK P.E. #43882
 SIX #2008

PRODUCT:
EKU-53
IMPACT DOORS
HIGH LOAD

NO.	DATE	DESCRIPTION	BY	BM CODE	UPGRADE
1	4/30/12				

DATE: 03/16/2010
 SCALE: AS NOTED
 DWG. BY: LA FIN
 CHK. BY:

DRAWING No.:
 FN-EKU53
 SHEET: 10 OF 10